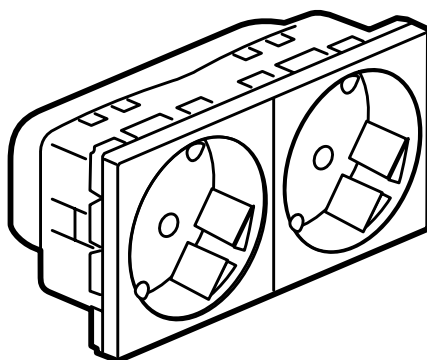


Mosaic™
German standard multiple socket outlets,
multisupport

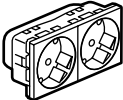
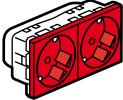
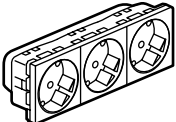
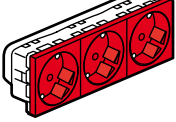
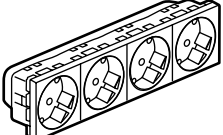
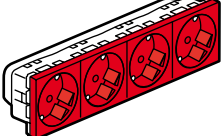
Cat. Nos.: 771 92
772 52/53/54/72/73/74/81/82/83/90/91/92
792 82/83



1. GENERAL CHARACTERISTICS

2 to 4 gang german standard 45°-inclined multiple 16 A - 240 V socket outlets.
A tamperproof socket version exists; the connection is made with automatic terminals.
The outlets can be installed in flush mounting boxes, surface mouting frames, floor boxes, columns, multi-outlet extensions, office strips, etc.

2. RANGE

| | Designation | Standard | Number of modules | Weight (g) |
|---|---|----------|-------------------|------------|
|  | 2 x 2 P + E socket | 772 92 | 4 | 70 |
| | 2 x 2 P + E socket with indicator | 772 90 | 4 | 70 |
| | 2 x 2 P + E socket aluminium cover plate | 792 82 | 4 | 70 |
|  | 2 x 2 P + E socket red cover plate | 772 72 | 4 | 70 |
| | 2 x 2 P + E socket with indicator red cover plate | 772 91 | 4 | 70 |
| | 2 x 2 P + E tamperproof socket | 772 81 | 4 | 70 |
| | 2 x 2 P + E tamperproof socket - green | 771 92 | 4 | 70 |
| | 2 x 2 P + E tamperproof socket with indicator | 772 92 | 4 | 70 |
|  | 3 x 2 P + E socket | 772 53 | 6 | 101 |
| | 3 x 2 P + E socket aluminium cover plate | 792 83 | 6 | 101 |
|  | 3 x 2 P + E socket red cover plate | 772 73 | 6 | 101 |
| | 3 x 2 P + E tamperproof socket | 772 82 | 6 | 101 |
|  | 4 x 2 P + E socket | 772 84 | 8 | 132 |
|  | 4 x 2 P + E socket red cover plate | 772 74 | 8 | 132 |
| | 4 x 2 P + E tamperproof socket | 772 83 | 8 | 132 |

Mosaic™

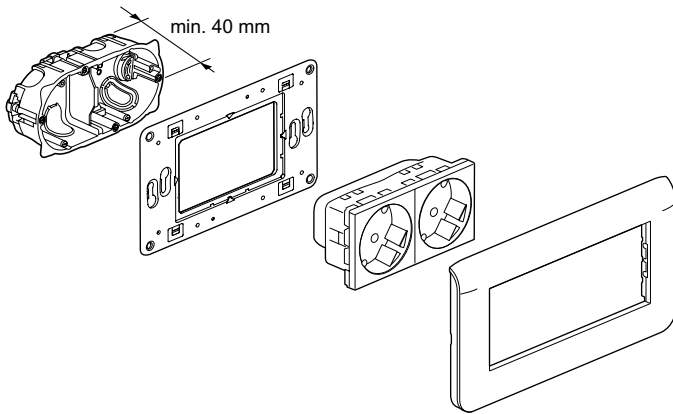
German standard multiple socket outlets, multisupport

Cat. Nos.: 771 92

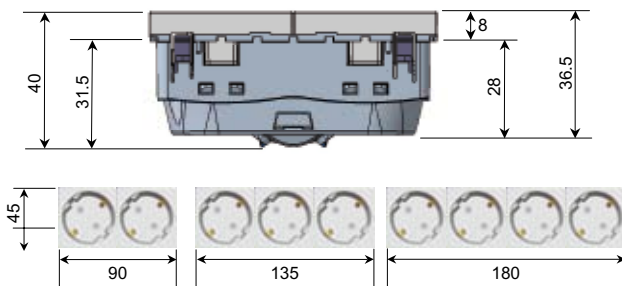
772 52/53/54/72/73/74/81/82/83/90/91/92

792 82/83

3. INSTALLATION

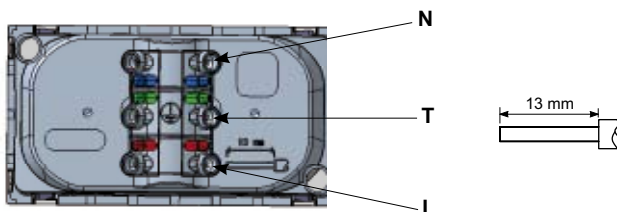


4. OVERALL DIMENSIONS



5. OPERATION

Number of terminals: 3 inputs / 3 outputs
Terminal type : automatic terminals
Terminal capacity: 1.5 mm² or 2.5 mm²
Wiring: flexible / rigid
Stripping length: 13 mm



Cat. Nos. 772 52/53/54/72/73/74/91 - 792 82/83 : Conventional operation by insertion or removal of an industry-standard plug.

Cat. Nos. 772 81/82/83/92: Conventional operation by insertion or removal of a plug with tamperproof insert (Cat. No.502 99).

6. TECHNICAL DATA

6.1 Mechanical characteristics

Impact resistance: IK 07
Penetration by solid/liquid bodies: IP 40

6.2 Material characteristics

Cover plates: Polycarbonate
Bases: Acrylonitrile - Butadiene-Styrene
Product complies with glow wire test at 650° C according to standard NF C 61-314.

6.3 Climatic characteristics

Storage and operating temperature: - 15° C to + 70° C

7. CLEANING

Surface cleaning using a cloth.
Do not use: acetone, tar remover, trichloroethylene.

7.1 Resistance to cleaning products

Resistant to the following products: hexane (EN 60669-1), methylated spirit, soapy water, diluted ammonia, 10% bleach solution, window cleaning products, moist towelettes.

7.2 Resistance to medical cleaning products

Resistant to the following products: Anios, Surfanios, Bactylisine.

Warning: Conduct preliminary tests before using any other specific cleaning products.

8. CONFORMITY AND APPROVALS

VDE

9. ACCESSORIES

Cat. No. 502 99: tamperproof insert for tamperproof sockets.