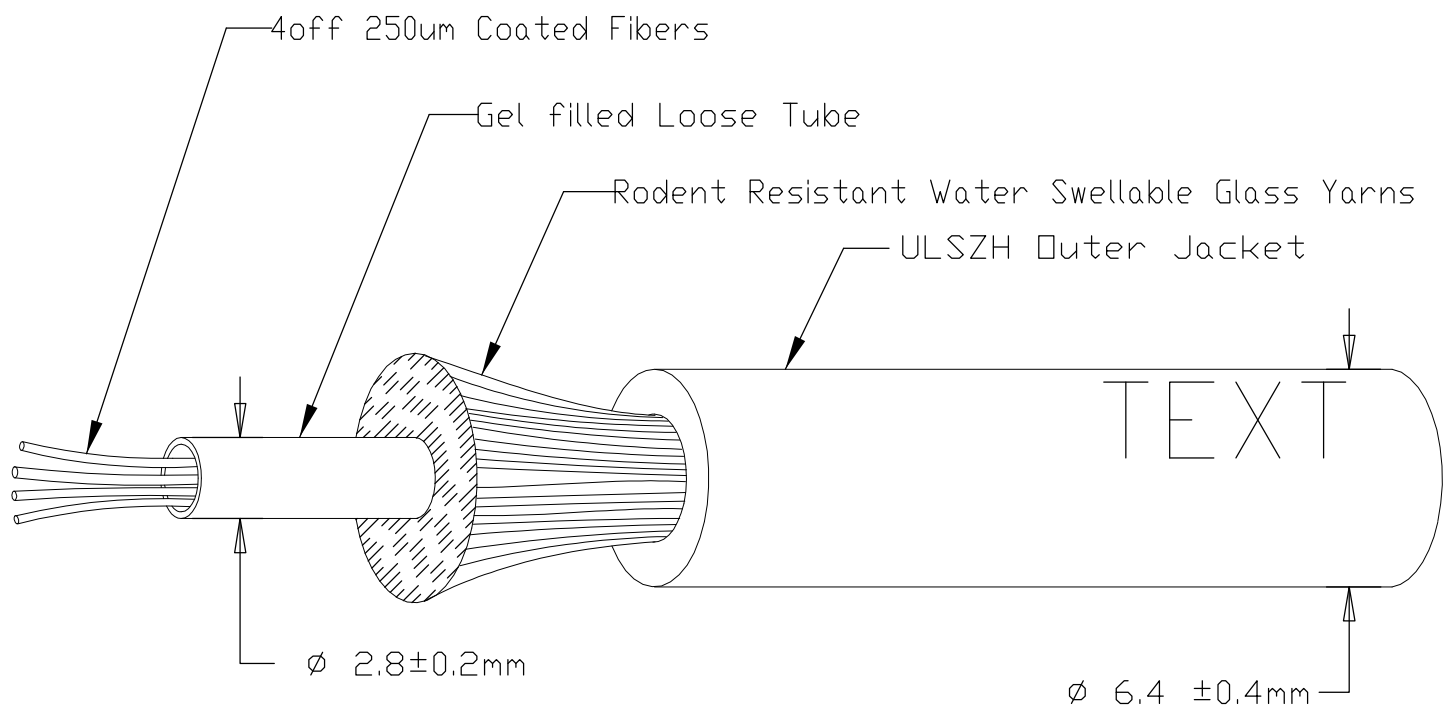


THIS DRAWING IS UNPUBLISHED. RELEASED FOR PUBLICATION .19
 © COPYRIGHT 19 BY AMP INCORPORATED. ALL RIGHTS RESERVED.

LOC	DIST	REVISIONS					
		P	LTR	DESCRIPTION	DATE	DWN	APVD
E	B		A	EH00-1940-98	20Nov98	MWH	MWH
			B	JZ00-0002-02	29JUL02	LT	AG
			C	JZ00-0007-03	30APR03	LT	AG
			D	JZ00-0012-05	22MAR05	PS	AG
			E	ECR-09-000108	07JAN09	JD	AG
			F	ECR-10-008865	27APR10	LST	AG



Part number prefix	
No:	Length
1-	1 Km
2-	2 Km
3-	3 Km
4-	4 Km
9-	Cut Length

- 4off 250um Primary Coated Fibers, Colours Blue, Orange, Green & Brown
 * Laser Grade Fiber in Table, Gigabit Ethernet
 Maximum Link distance SX (850 nm)/ LX (1300 nm)
- Outer Jacket Text in contrasting colour
 Example (excluding Reel No & Meter mark)
 "AMP NETCONNECT F.O.CABLE X-599622-1 INT/EXT RODENT RESIST GLT 4X 62.5/125S"
- Mechanical Properties of Cable (Tested according to IEC60794-1)
 Nominal weight 48.0 kg/km
 Minimum Installation Bend Radius 130 mm
 Minimum Service Bend Radius 80 mm
 Maximum Installation Tension 1250 N
 Maximum Operating Tension 650 N
 Maximum Crush Resistance 1000 N
 Operating Temperature Range -20 to + 70 °C
 Internal/External Grade
 Low Smoke Zero Halogen Material to be compliant with
 Water Absorption IEC60811-1, <2mg/cm² 10days @70°C
 Smoke Emission IEC 61034
 Acid Gas Emission IEC 60754-1
 Toxicity NES 60713
 Fire Propagation IEC 60332-1 & 60332-3
- To meet the requirements of TYCO ELECTRONICS environmental specification 230-702

grey	orange	3.5/1.0	400/1000 *	62.5/125 OM1+	X-599622-9
grey	black	3.5/1.0	160/200	62.5/125 E	X-599622-8
orange	orange	3.5/1.0	500/500	50/125 OM2	X-599622-7
orange	orange	3.5/1.0	750/2000 *	50/125 OM2+	X-599622-6
grey	orange	3.5/1.0	200/600	62.5/125 OM1	X-599622-5
blue	yellow	0.45/0.35	single mode	9/125 OS2	X-599622-4
orange	Aqua	3.5/1.0	1500/500	50/125 OM3	X-599622-3
orange	Aqua	3.5/1.0	3500/500	50/125 OM4	X-599622-2
grey	blue	3.5/1.0	160/500	62.5/125 S	X-599622-1
Loose Tube Colour	Jacket Colour	Max Cabled fibre attn. loss db/km @ 850/1300nm	Bandwidth @ 850/1300nm	Fiber Type	Amp Part Number

<small>THIS DRAWING IS A CONTROLLED DOCUMENT FOR AMP INCORPORATED. IT IS SUBJECT TO CHANGE AND THE CONTROLLING ENGINEERING ORGANIZATION SHOULD BE CONTACTED FOR THE LATEST REVISION.</small>		DWN J.DYER 07JAN09 CHK D.WALKER APVD A.GIBBONS PRODUCT SPEC - APPLICATION SPEC - WEIGHT - CUSTOMER DRAWING	Tyco Electronics UK Ltd Bodelwyddan, Denbighshire, LL18 5TZ UK NAME FO CAB I/E RR GLT X4 Fiber Optic Cable Rodent Resistant Gel Loose Tube x4 SIZE A3 CAGE CODE 00779 DRAWING NO 599622 SCALE NTS SHEET 1 OF 1 REV F
--	--	---	---