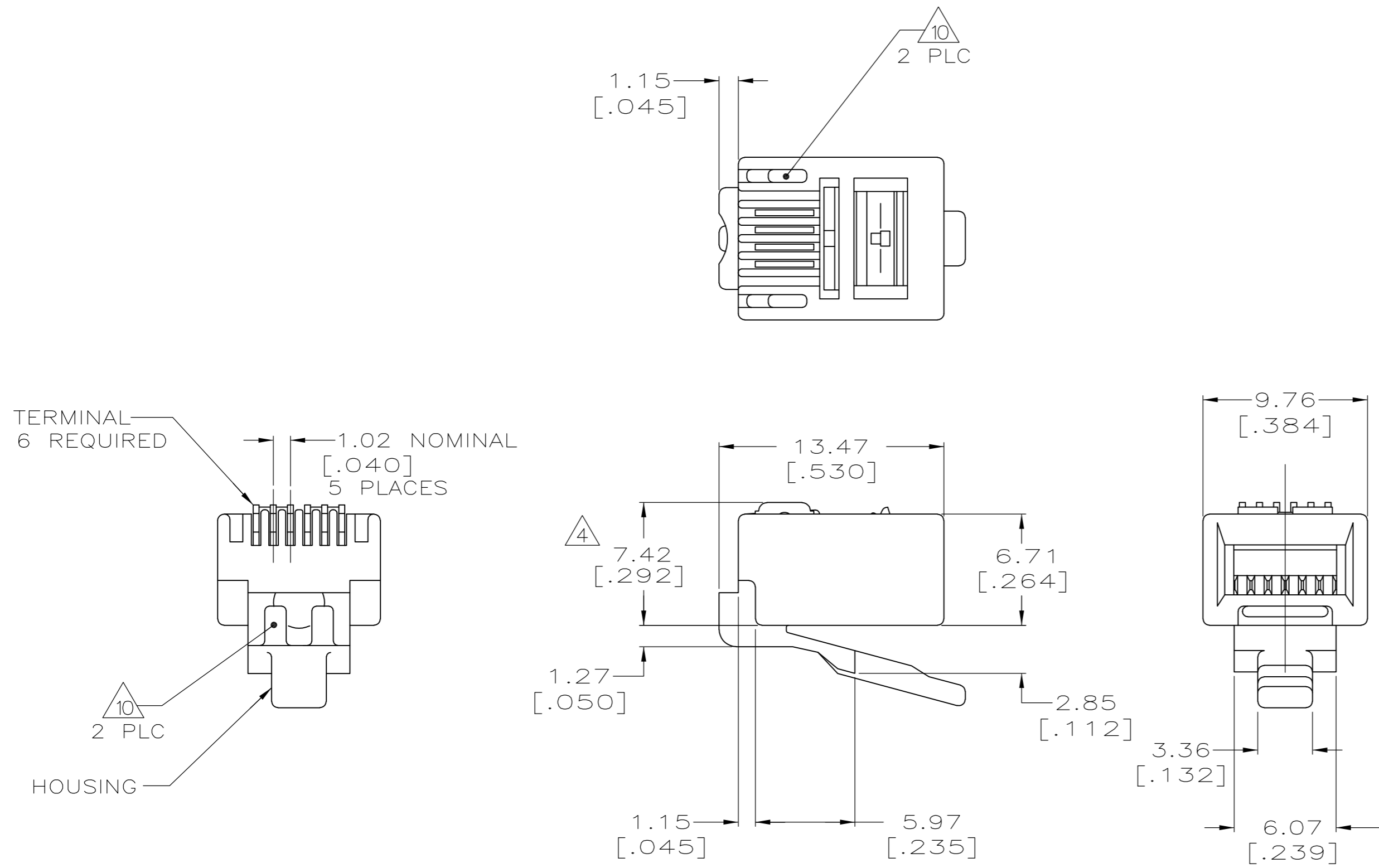


THIS DRAWING IS UNPUBLISHED. RELEASED FOR PUBLICATION
 © COPYRIGHT - By - ALL RIGHTS RESERVED.

LOC	DIST	REVISIONS					
HM	00	P	LTR	DESCRIPTION	DATE	DWN	APVD
		Y1		REVISED PER ECO-11-005033	21MAR11	RK	HMR

- ① DIMENSIONS ARE MAXIMUM UNLESS OTHERWISE SPECIFIED.
- ② MATERIAL: HOUSING—POLYCARBONATE,CLEAR. TERMINAL—0.36[.014] THICK PHOSPHOR BRONZE PLATED WITH 1.27μm[.000050] THICK GOLD IN LOCALIZED GOLD PLATE AREA, GOLD FLASH OVER THE REMAINDER, OVER 2.54μm[.000100] THICK NICKEL UNDERPLATE.
- ③ PLUG WILL ACCEPT 26 OR 28 AWG STRANDED OR TINSEL WIRE HAVING AN INSULATION DIAMETER OF 0.89 – 0.99[.035 – .039] AND A MAXIMUM OVAL CABLE JACKET OF 2.29 × 6.61[.090 × .260].
- ④ TERMINATED DIMENSION 6.15[.242] MAXIMUM.
- ⑤ 10 ASSEMBLIES PER PACKAGE.
- ⑥ 10,000 ASSEMBLIES PER PACKAGE.
- ⑦ 1000 ASSEMBLIES PER PACKAGE.
- ⑧ 100 ASSEMBLIES PER PACKAGE.
- ⑨ 25 ASSEMBLIES PER PACKAGE.



SUPERSEDED BY 5-641337-4

SUPERSEDED BY 5-641337-2

⑤	6-641337-3
⑨	5-641337-4
⑧	5-641337-3
⑦	5-641337-2
⑥	5-641337-1
REELED ⑩	641337-1
PACKAGED	PART NO

THIS DRAWING IS A CONTROLLED DOCUMENT.		DWN	9-3-93	TE Connectivity	
DIMENSIONS: mm [INCHES]		YTP/JTA	9-15-93	MODULAR PLUG ASSEMBLY, 6 POSITION, LINE	
TOLERANCES UNLESS OTHERWISE SPECIFIED:		CHK	9-20-93	-	
0 PLC ± -		C.WHITT		-	
1 PLC ± -		APVD		-	
2 PLC ± -		J.TONEY		-	
3 PLC ± -		PRODUCT SPEC		-	
4 PLC ± -		108-1163		-	
ANGLES ± -		APPLICATION SPEC		-	
FINISH ± -		114-6016		-	
MATERIAL - ②		WEIGHT		-	
		CUSTOMER DRAWING		-	
		SCALE	4:1	-	
		SHEET	1 of 1	-	
		REV	Y1	-	