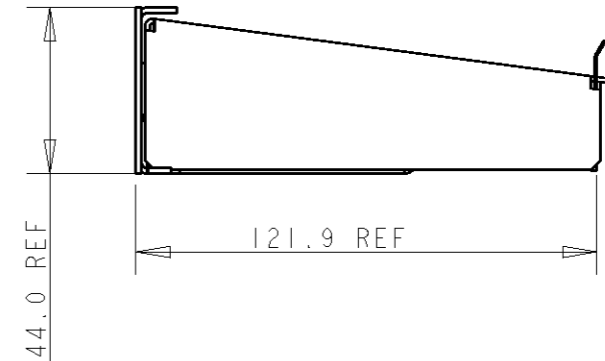
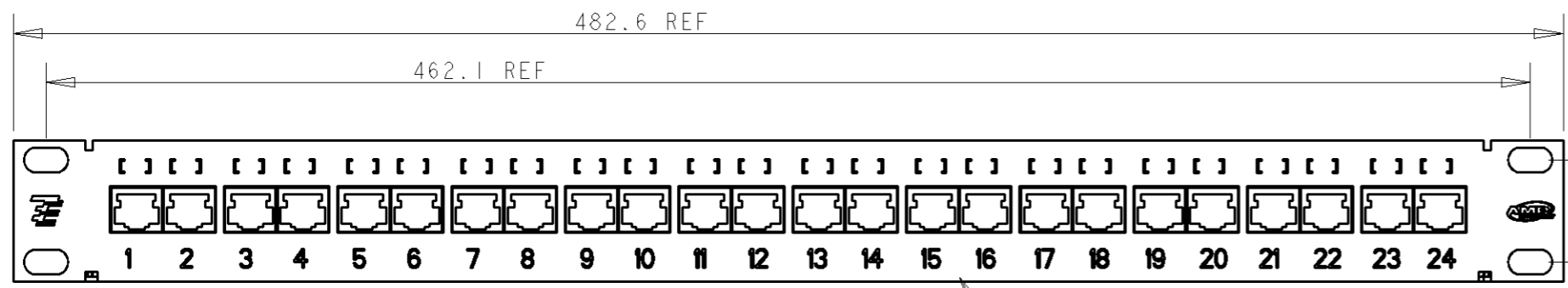
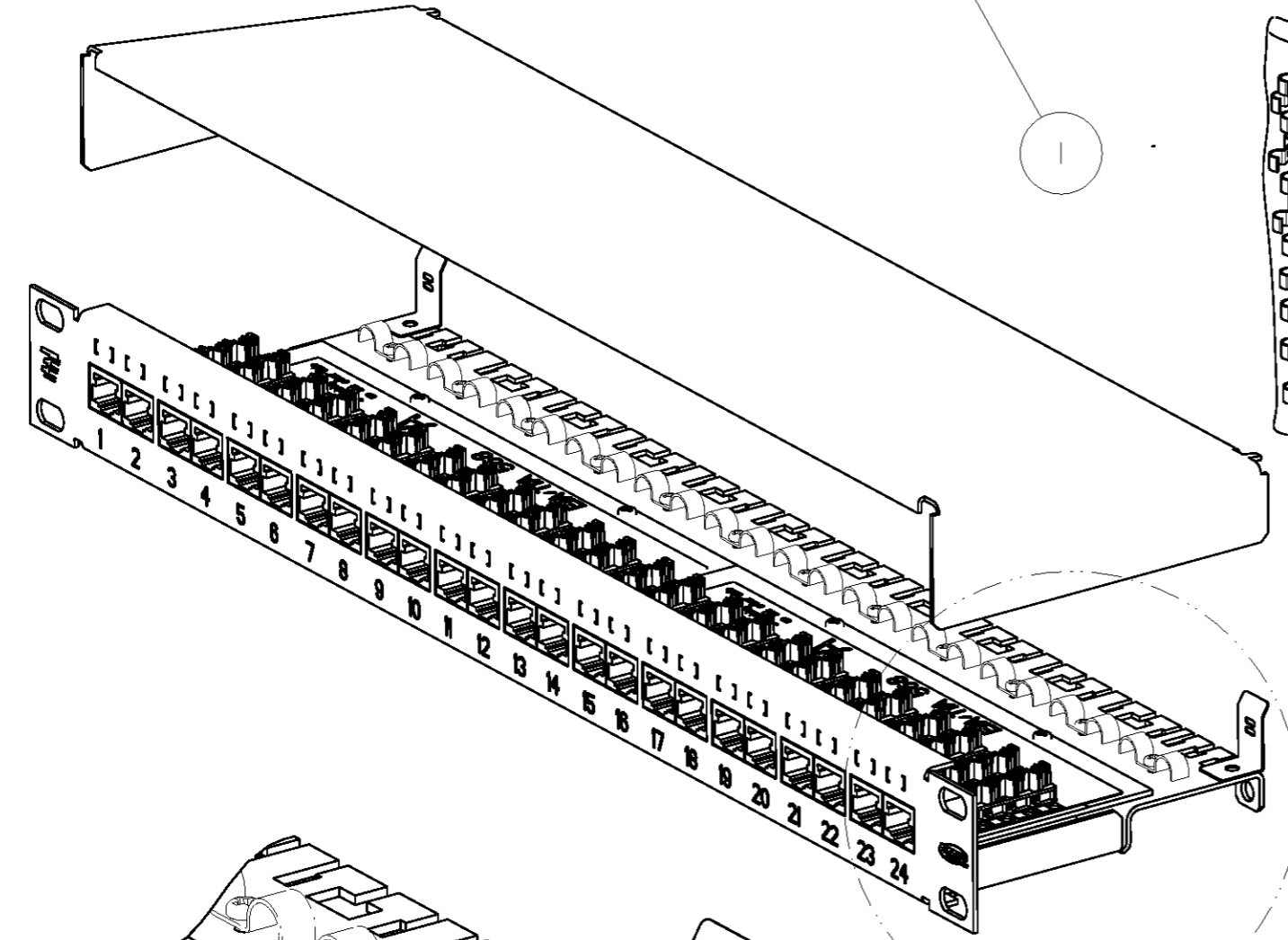


THIS DRAWING IS UNPUBLISHED. RELEASED FOR PUBLICATION 2002
 © COPYRIGHT 2010 BY TYCO ELECTRONICS CORPORATION. ALL RIGHTS RESERVED.

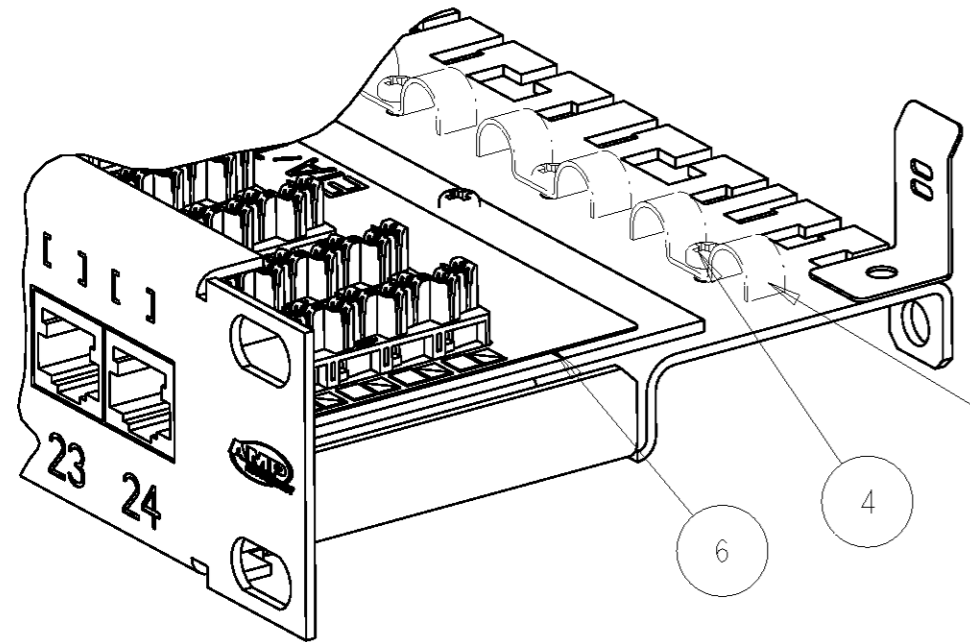
LOC	DIST	REVISIONS			
P	LTR	DESCRIPTION	DATE	DWN	APVD
1K	2	C	ES00-0123-02	03-Dec-02	JG AP
		D	ECR-08-011311	23MAR2009	RM JS
		E	ECR-10-012026	15OCT2010	RM JS



1. PACKAGING:
 ONE BOX WITH ONE PANEL;
 PANEL PRE-ASSEMBLED INTO POLYBAG INCLUDING
 SCREW-SET AND APPLICATION SPEC.



QTY PER KIT	DESCRIPTION	NOTES	ITEM
2	COLOR CODE GUIDE LABEL	-	6
12+12	CABLE CLAMP	-	5
12	SCREW M3x12	-	4
24	CABLE TIE	-	3
1	GROUND CLAMP KIT	-	2
1	PATCH PANEL METAL FRAME	GREY RAL 7035	1
-		BLACK RAL 9005	
-		GREY RAL 7032	
-3	-2	-1	



DETAIL SCALE 1:1

THIS DRAWING IS A CONTROLLED DOCUMENT FOR TYCO ELECTRONICS CORPORATION
 IT IS SUBJECT TO CHANGE AND THE CONTROLLING ENGINEERING ORGANIZATION
 SHOULD BE CONTACTED FOR THE LATEST REVISION.

DIMENSIONS:	TOLERANCES UNLESS OTHERWISE SPECIFIED:
mm	0 PLC ±-
	1 PLC ±-
	2 PLC ±-
	3 PLC ±-
	4 PLC ±-
	ANGLES ±-
MATERIAL	FINISH
-	-

DWN J. GATNAU 09-Dec-01	Tyco Electronics AMP España, S.A. Barcelona, Spain.
CHK A. PUELL 09-Dec-01	
APVD J. SANABRA 05-Feb-02	
PRODUCT SPEC 108-22138	
APPLICATION SPEC 114-22018	NAME PATCH PANEL, CAT 5E 24 PORTS SHIELDED
WEIGHT -	SIZE A3
CUSTOMER DRAWING	CAGE CODE -
	DRAWING NO C-336671
	RESTRICTED TO -
	SCALE 1:2
	SHEET 1
	OF 1
	REV E