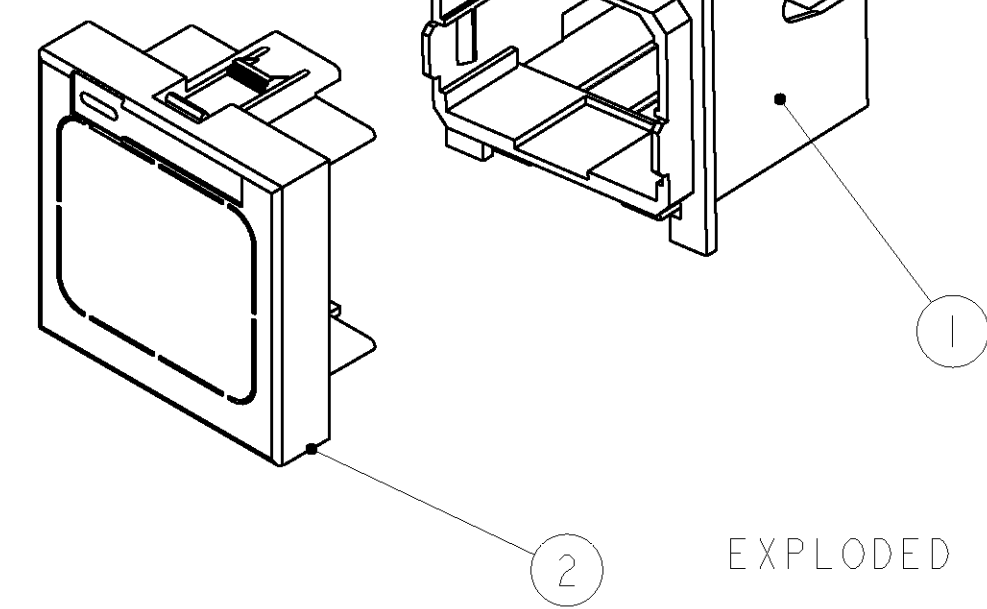
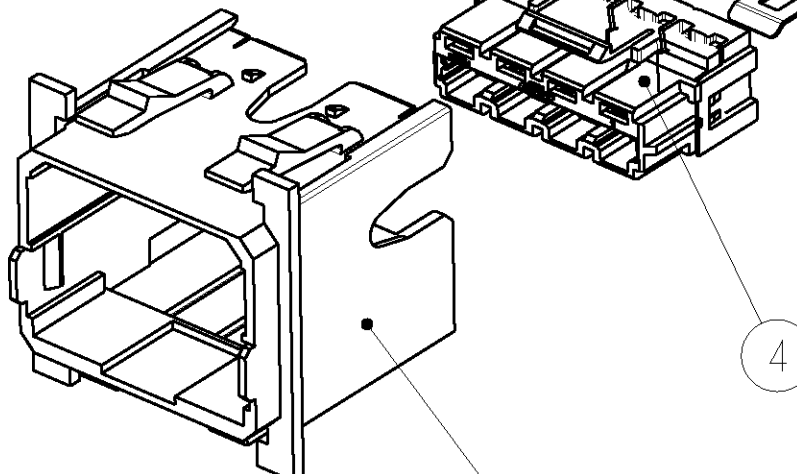
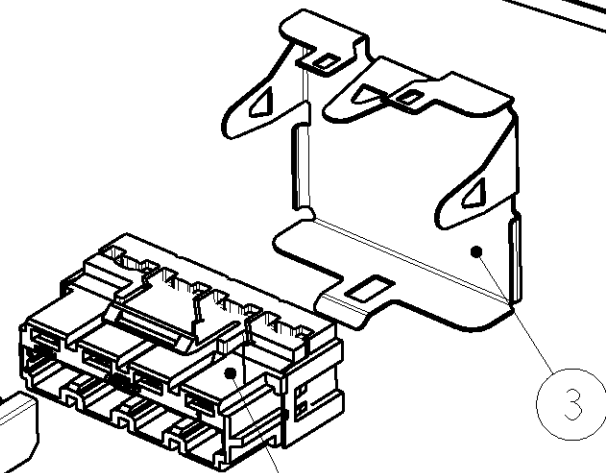
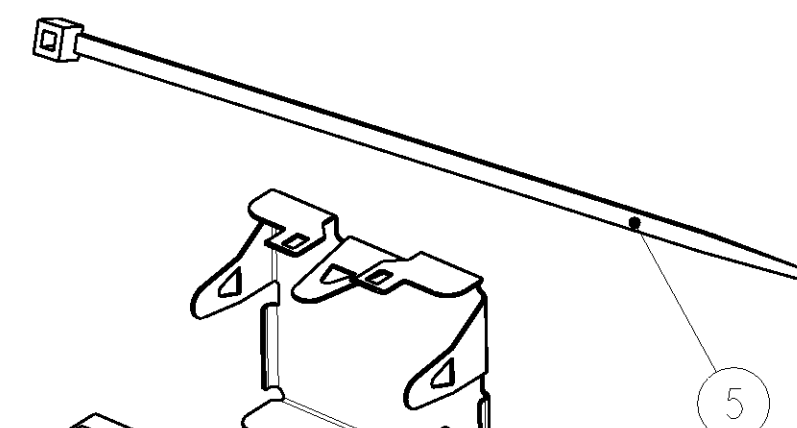
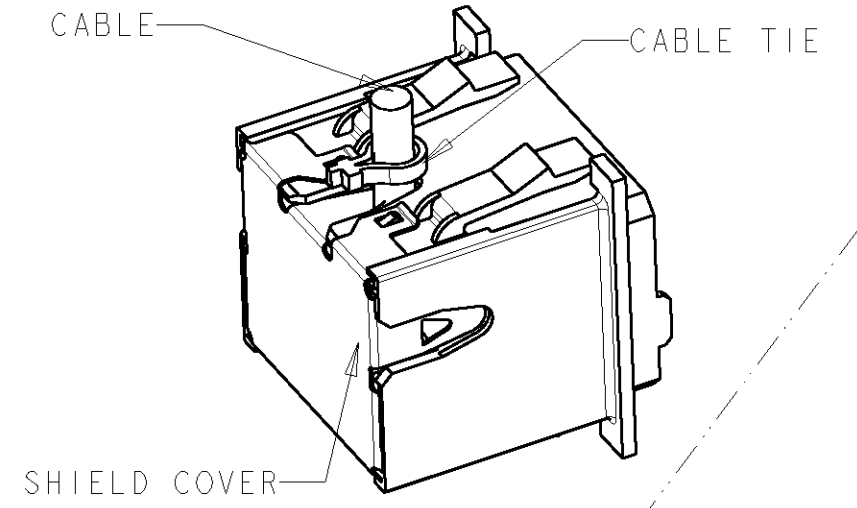


THIS DRAWING IS UNPUBLISHED. RELEASED FOR PUBLICATION 2007
 © COPYRIGHT 2007 BY TYCO ELECTRONICS CORPORATION. ALL RIGHTS RESERVED.

LOC	DIST	REVISIONS					
		P	LTR	DESCRIPTION	DATE	DWN	APVD
1K	2		A	FIRST RELEASE	28MAR2006	ACG	ACG
			B	RELEASED. PACKAGING UPDATED.	17JAN2007	ACG	JS

DETAILED VIEW: TOP CABLE EXIT
 TIE AROUND CABLE AND SHIELD GROUND



EXPLODED VIEW

- 1 PACKAGING: 10 KITS PER BOX, ACCORDING TO TYCO ELECTRONICS PACKAGING PROCEDURE
- 2 INSTRUCTION SHEET:
 • 411-93010: 45x45 AMP CO KIT.
 • 411-22045: SHIELDED EDGE CONNECTOR MK II.
- 3 MATERIAL:
 HOUSING UNPLATED: ABS.
 HOUSING PLATED: NICKEL.
 FACEPLATE: ABS.
 SHIELD: COOPER ALLOW. FINISHED: TIN.

QTY. PER ASSY.			DESCRIPTION	ITEM
1/10	1/10	--	INSTRUCTION SHEET	-
1	1	--	TIE	5
1	1	PLATED	SHIELDED EDGE CONNECTOR MK II	4
1	1	METAL	SHIELD GROUND COVER	3
1	-	WHITE	45x45 FACEPLATE	2
-	1	IVORY	45x45 FACEPLATE	2
1	1	PLATED	45x45 PLATED HOUSING	1
-2	-1	COLOUR		
			COMPONENTS	

<small>THIS DRAWING IS A CONTROLLED DOCUMENT FOR TYCO ELECTRONICS CORPORATION IT IS SUBJECT TO CHANGE AND THE CONTROLLING ENGINEERING ORGANIZATION SHOULD BE CONTACTED FOR THE LATEST REVISION.</small>		DWN 28MAR2006 A. CARRERAS CHK 28MAR2006 A. CARRERAS APVD 18JAN2007 J. SANABRA PRODUCT SPEC APPLICATION SPEC 2 WEIGHT -		tyco Electronics Tyco Electronics AMP España, S.A. Barcelona. Spain.	
DIMENSIONS: mm 		TOLERANCES UNLESS OTHERWISE SPECIFIED: 0 PLC ± 1 PLC ± 2 PLC ± 3 PLC ± 4 PLC ± ANGLES ±		NAME 45x45 AMP CO KIT for MOSAIC ENVIRONMENT	
MATERIAL 3 FINISH -		CUSTOMER DRAWING		SIZE A3 CAGE CODE 00779 DRAWING NO C-1711488 RESTRICTED TO -	
		SCALE : SHEET OF REV B			