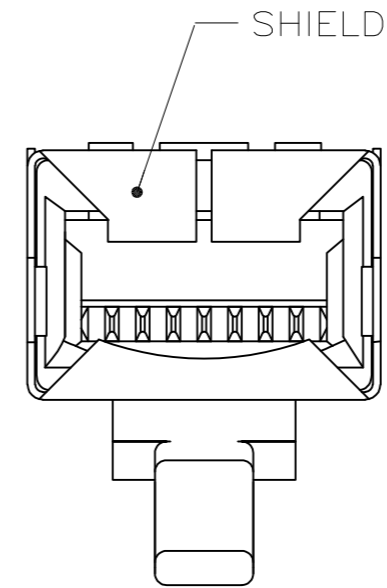
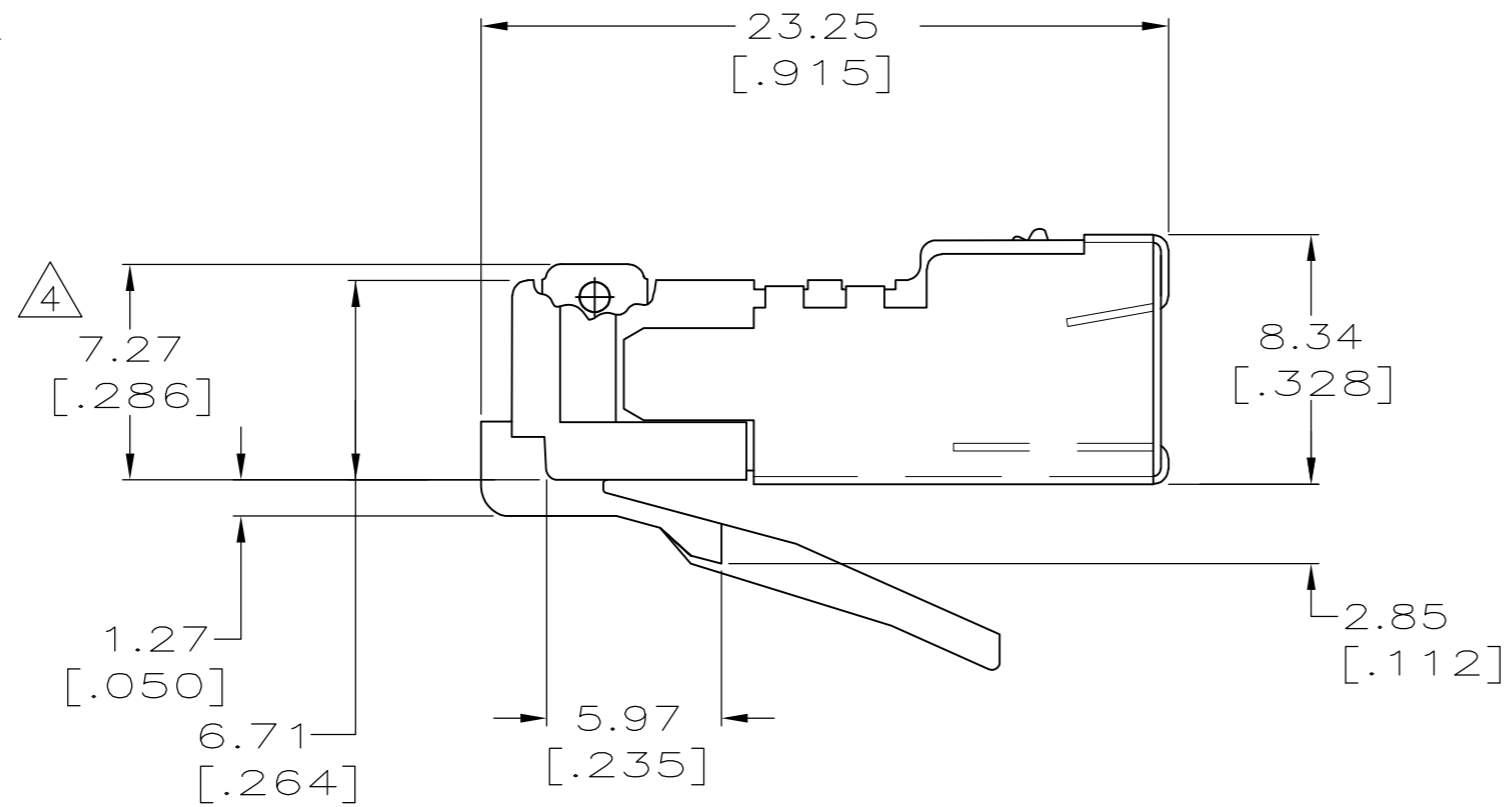
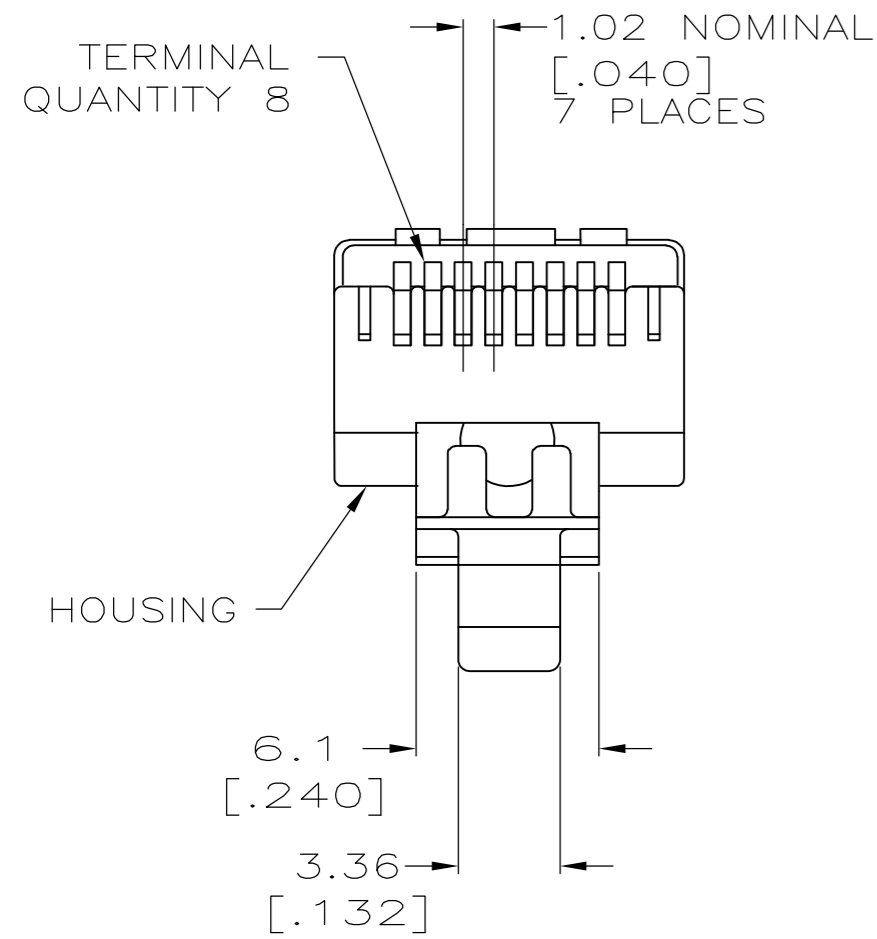
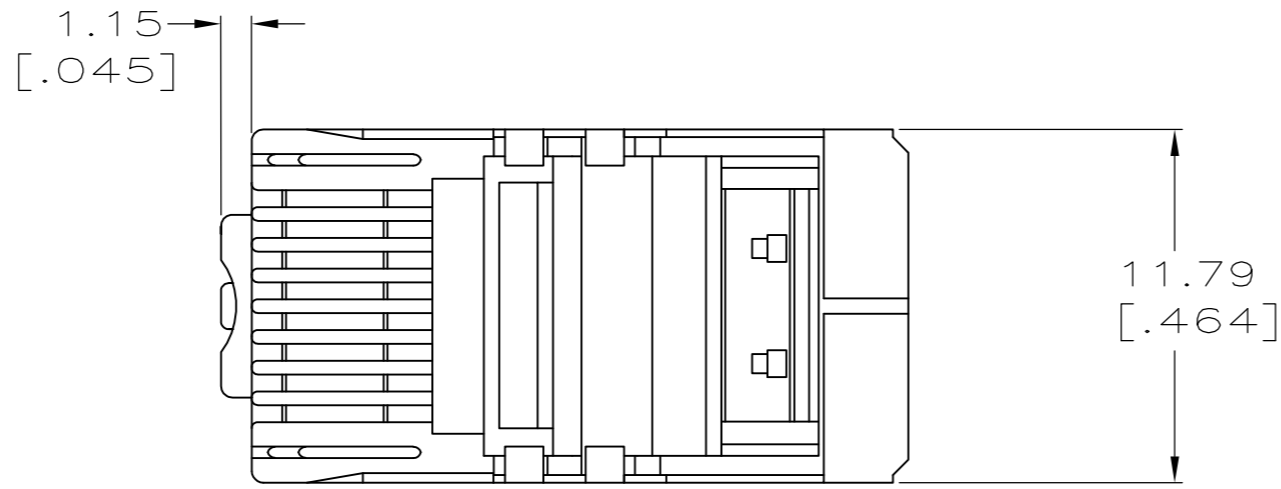


THIS DRAWING IS UNPUBLISHED. RELEASED FOR PUBLICATION
 © COPYRIGHT - By - ALL RIGHTS RESERVED.

LOC	DIST	REVISIONS					
HM	00	P	LTR	DESCRIPTION	DATE	DWN	APVD
		D1		REVISED PER ECO-11-005033	21MAR11	RK	HMR

- 1. DIMENSIONS ARE MAXIMUM UNLESS OTHERWISE SPECIFIED.
- 2. MATERIAL: HOUSING - POLYCARBONATE, CLEAR
 TERMINAL - PHOSPHOR BRONZE, PLATED WITH 1.27µm [.000050] MINIMUM THICK GOLD IN LOCALIZED GOLD PLATE AREA, GOLD FLASH OVER THE REMAINDER, OVER 2.54µm [.000100] MINIMUM THICK NICKEL UNDERPLATE.
 SHIELD - COPPER ALLOY WITH 1.27µm [.000050] MINIMUM SEMI-BRIGHT (SATIN) NICKEL.
- 3. PLUG WILL ACCEPT 24 OR 26 AWG SOLID WIRE, 0.74-0.99 [.029-.039] DIAMETER, WITH A 5.08 [.200] DIAMETER MAXIMUM JACKET.
- 4. TERMINATED DIMENSION 6.15 [.242] MAXIMUM.
- 5. 500 ASSEMBLIES PER PACKAGE.
- 6. 100 ASSEMBLIES PER PACKAGE.
- 7. 25 ASSEMBLIES PER PACKAGE.



7	5-569530-4
6	5-569530-3
5	5-569530-2
PACKAGED	PART NUMBER

THIS DRAWING IS A CONTROLLED DOCUMENT.		DWN	25OCT2006																							
DIMENSIONS: mm [INCHES]		CHK	30OCT2006																							
TOLERANCES UNLESS OTHERWISE SPECIFIED:		APVD	30OCT2006																							
<table border="1"> <tr><td>0 PLC</td><td>±</td><td>-</td></tr> <tr><td>1 PLC</td><td>±</td><td>-</td></tr> <tr><td>2 PLC</td><td>±</td><td>-</td></tr> <tr><td>3 PLC</td><td>±</td><td>-</td></tr> <tr><td>4 PLC</td><td>±</td><td>-</td></tr> <tr><td>ANGLES</td><td>±</td><td>-</td></tr> <tr><td>FINISH</td><td>-</td><td>2</td></tr> </table>		0 PLC	±			-	1 PLC	±	-	2 PLC	±	-	3 PLC	±	-	4 PLC	±	-	ANGLES	±	-	FINISH	-	2	NAME	C. DOOLEY
0 PLC	±	-																								
1 PLC	±	-																								
2 PLC	±	-																								
3 PLC	±	-																								
4 PLC	±	-																								
ANGLES	±	-																								
FINISH	-	2																								
<table border="1"> <tr><td>0</td><td>±</td><td>-</td></tr> <tr><td>1</td><td>±</td><td>-</td></tr> <tr><td>2</td><td>±</td><td>-</td></tr> <tr><td>3</td><td>±</td><td>-</td></tr> <tr><td>4</td><td>±</td><td>-</td></tr> <tr><td>ANGLES</td><td>±</td><td>-</td></tr> <tr><td>FINISH</td><td>-</td><td>2</td></tr> </table>		0	±	-	1	±	-	2	±	-	3	±	-	4	±	-	ANGLES	±	-	FINISH	-	2	PRODUCT SPEC	108-1163	MODULAR PLUG ASSEMBLY, 8 POSITION, SHIELDED, ROUND CABLE, SOLID WIRE	
0	±	-																								
1	±	-																								
2	±	-																								
3	±	-																								
4	±	-																								
ANGLES	±	-																								
FINISH	-	2																								
MATERIAL		APPLICATION SPEC	114-6016	SIZE	A2																					
<table border="1"> <tr><td>0</td><td>±</td><td>-</td></tr> <tr><td>1</td><td>±</td><td>-</td></tr> <tr><td>2</td><td>±</td><td>-</td></tr> <tr><td>3</td><td>±</td><td>-</td></tr> <tr><td>4</td><td>±</td><td>-</td></tr> <tr><td>ANGLES</td><td>±</td><td>-</td></tr> <tr><td>FINISH</td><td>-</td><td>2</td></tr> </table>		0	±	-	1	±	-	2	±	-	3	±	-	4	±	-	ANGLES	±	-	FINISH	-	2	WEIGHT	-	CAGE CODE	00779
0	±	-																								
1	±	-																								
2	±	-																								
3	±	-																								
4	±	-																								
ANGLES	±	-																								
FINISH	-	2																								
CUSTOMER DRAWING		SCALE 4:1		DRAWING NO	C=569530																					
		SHEET 1 of 1		RESTRICTED TO	-																					
		REV D1																								