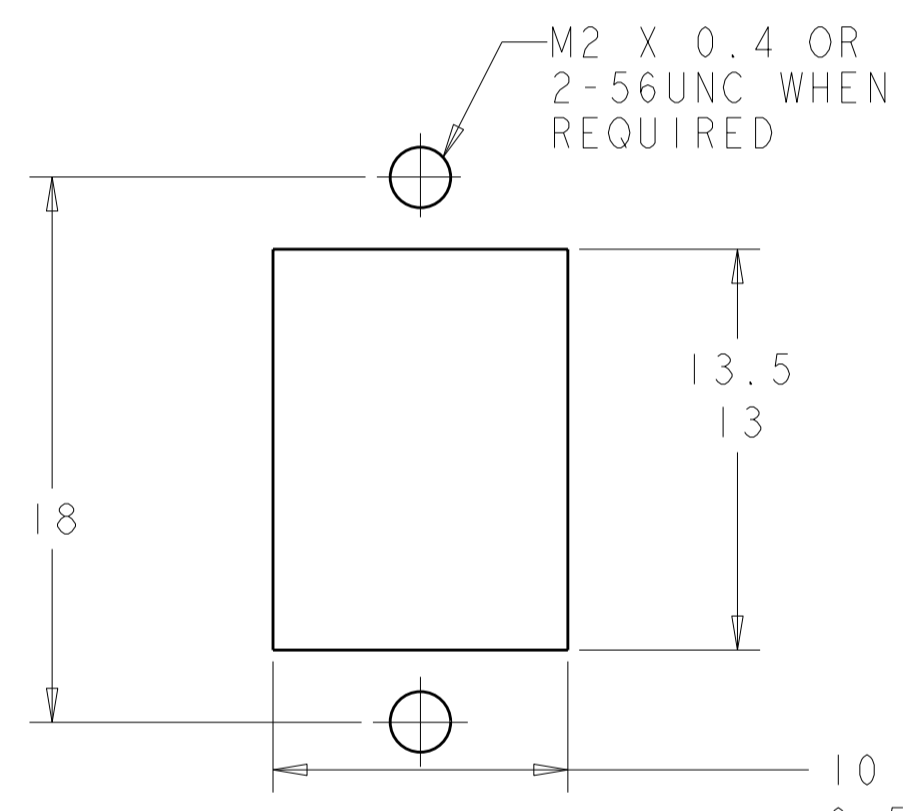
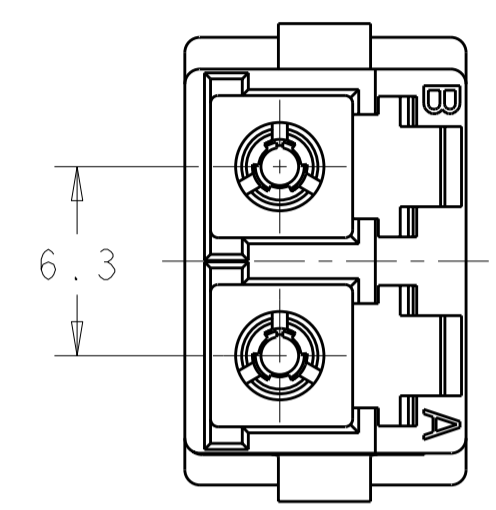
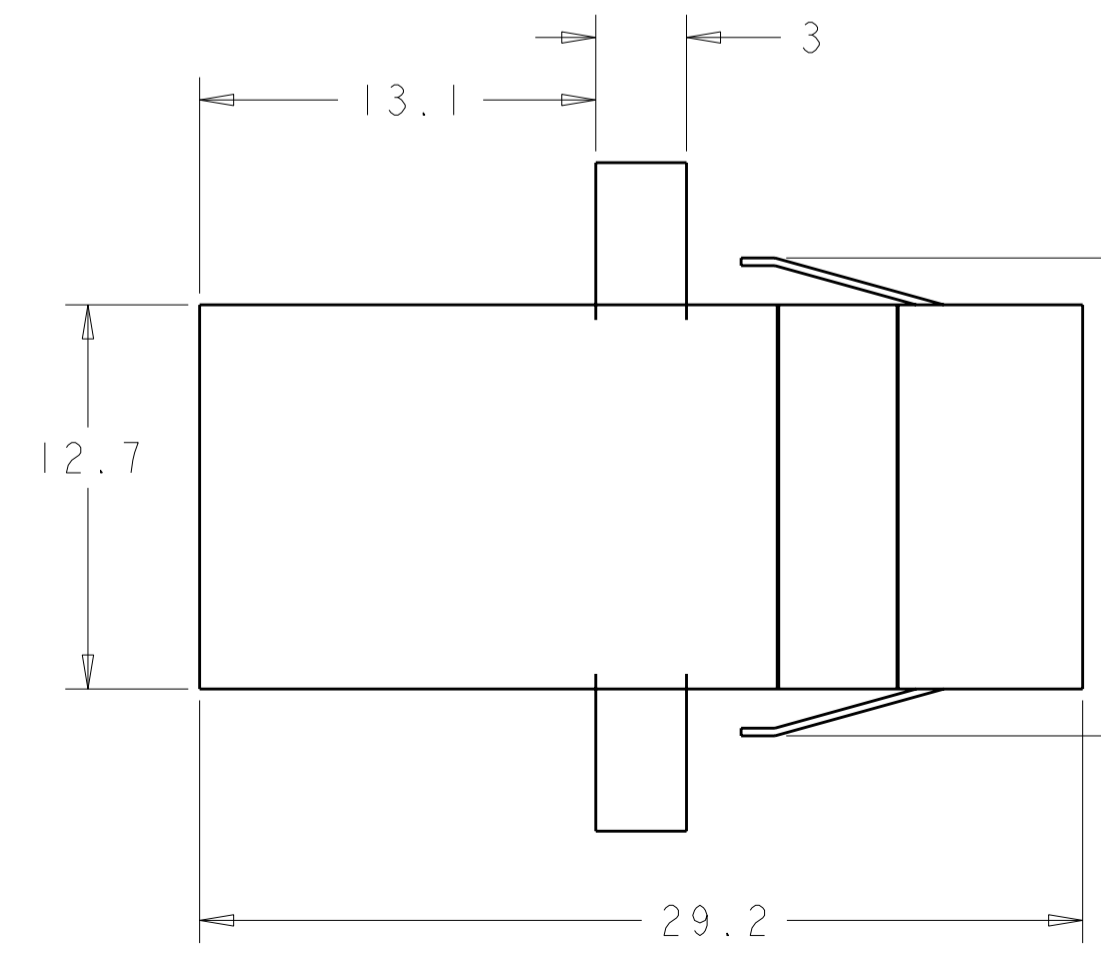
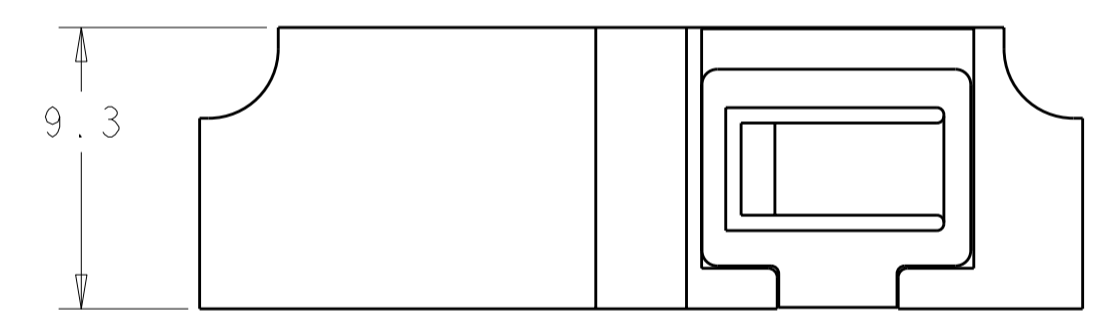
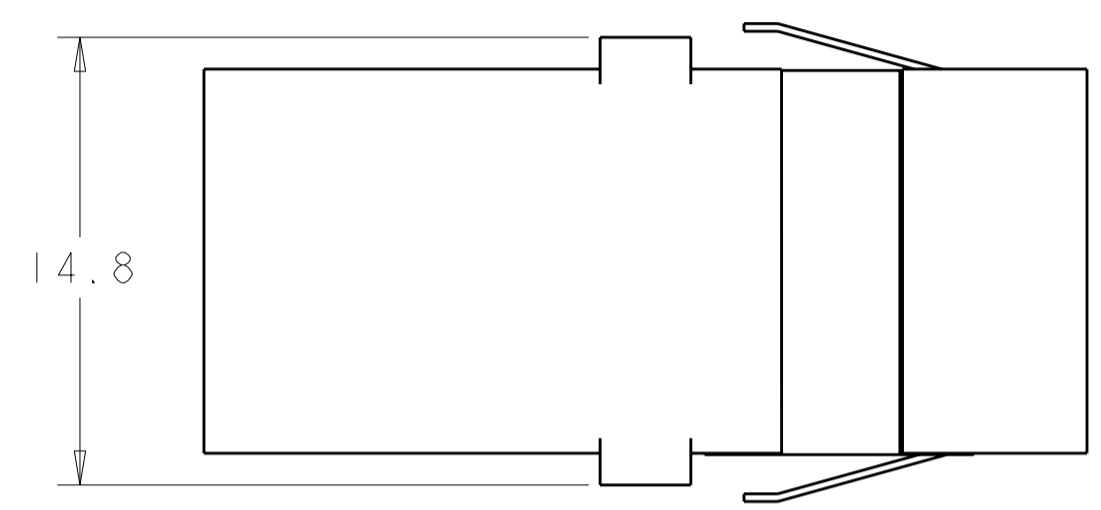
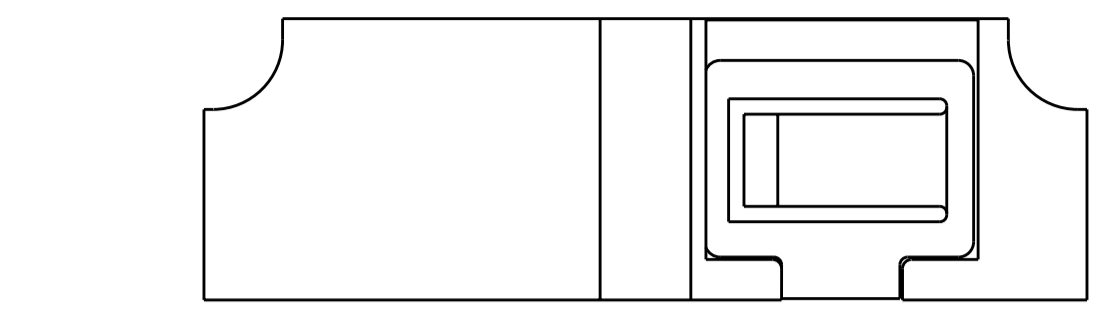


THIS DRAWING IS UNPUBLISHED. RELEASED FOR PUBLICATION
 © COPYRIGHT - ALL RIGHTS RESERVED.

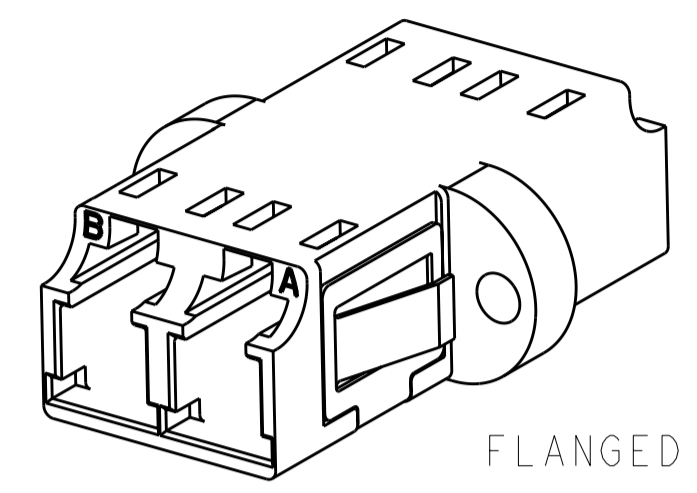
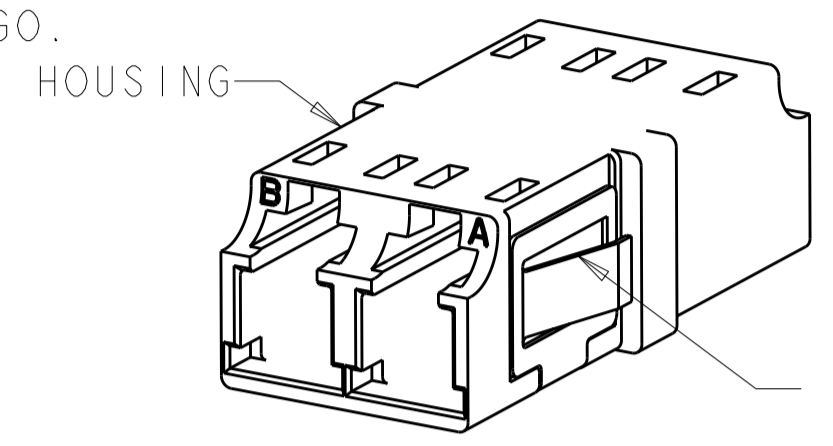
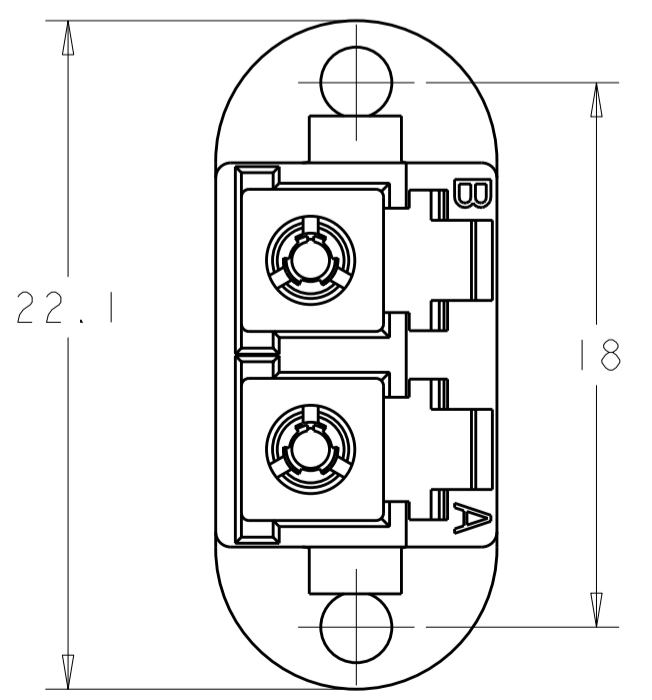
REVISONS		DATE	DWN	APVD
P	LTR	DESCRIPTION		
E		REVISE PER ECR 07-008306	20APR2007	BB CB
F		REVISE PER ECR-08-017519	15JUL2008	BB CB
F1		REVISE PER ECR-10-005865	26MAR2010	IL CT
F2		REVISE PER ECR-10-024519	06MAY2011	LL CT

⚠ MATERIAL:
 HOUSING: THERMOPLASTIC, UL 94-V0
 PROTECTIVE PLUGS: THERMOPLASTIC ELASTOMER
 ALIGNMENT SLEEVES: SEE TABLE
 RETENTION CLIP: SST

- 2. DUPLEX PROTECTIVE PLUGS ARE SUPPLIED, NOT SHOWN.
- ⚠ RETENTION CLIP IS NOT INCLUDED.
- ⚠ ADAPTER HAS A LOGO.



RECOMMENDED PANEL CUTOUT
 MAX PANEL THK 1.7



FLANGED
 SCALE 3:1

FLANGELESS
 SCALE 3:1

⚠4	CERAMIC	BEIGE	FLANGED	2-6457567-5
⚠4	CERAMIC	BLUE	FLANGED	2-6457567-4
⚠4	CERAMIC	BEIGE	FLANGELESS	2-6457567-3
⚠4	CERAMIC	BLUE	FLANGELESS	2-6457567-2
	METAL	BLACK	FLANGED	2-6457567-1
	METAL	AQUA	FLANGED	2-6457567-0
	METAL	BLACK	FLANGELESS	1-6457567-9
	METAL	AQUA	FLANGELESS	1-6457567-8
	CERAMIC	BLACK	FLANGED	1-6457567-7
	CERAMIC	AQUA	FLANGED	1-6457567-6
	CERAMIC	BLACK	FLANGELESS	1-6457567-5
	CERAMIC	AQUA	FLANGELESS	1-6457567-4
	METAL	BLUE	FLANGED	1-6457567-3
⚠3	CERAMIC	BLUE	FLANGELESS	1-6457567-2
⚠3	CERAMIC	BEIGE	FLANGELESS	1-6457567-1
⚠3	CERAMIC	BLUE	FLANGED	1-6457567-0
⚠3	CERAMIC	BEIGE	FLANGED	6457567-9
	METAL	BEIGE	FLANGED	6457567-8
	METAL	BEIGE	FLANGELESS	6457567-7
SUPERSEDED BY: 2125019-2	CERAMIC	GREEN	FLANGED	6457567-6
	CERAMIC	BEIGE	FLANGED	6457567-5
	CERAMIC	BLUE	FLANGED	6457567-4
SUPERSEDED BY: 2125019-1	CERAMIC	GREEN	FLANGELESS	6457567-3
	CERAMIC	BEIGE	FLANGELESS	6457567-2
	CERAMIC	BLUE	FLANGELESS	6457567-1

**SUPERSEDED BY:
2125019-2**

**SUPERSEDED BY:
2125019-1**

SLEEVE MAT'L	HOUSING COLOR	DESCRIPTION	PART NUMBER
THIS DRAWING IS A CONTROLLED DOCUMENT.			
DIMENSIONS: mm		TOLERANCES UNLESS OTHERWISE SPECIFIED:	
0 PLC ±0.1		1 PLC ±0.1	
2 PLC ±0.1		3 PLC ±	
4 PLC ±		ANGLES ±	
FINISH		-	
MATERIAL		-	
DWN E. HOPKINS 03JUN2005		CHK D. ROHDE 03JUN2005	
APVD S. BUCHTER 03JUN2005		PRODUCT SPEC	
APPLICATION SPEC		WEIGHT	
CUSTOMER DRAWING		SCALE 4:1	
SIZE A2		CAGE CODE	
DRAWING NO C-6457567		RESTRICTED TO	
SHEET 1 OF 1		REV F2	



ADAPTER, DUPLEX LC, SR-SR, SC ENVELOPE