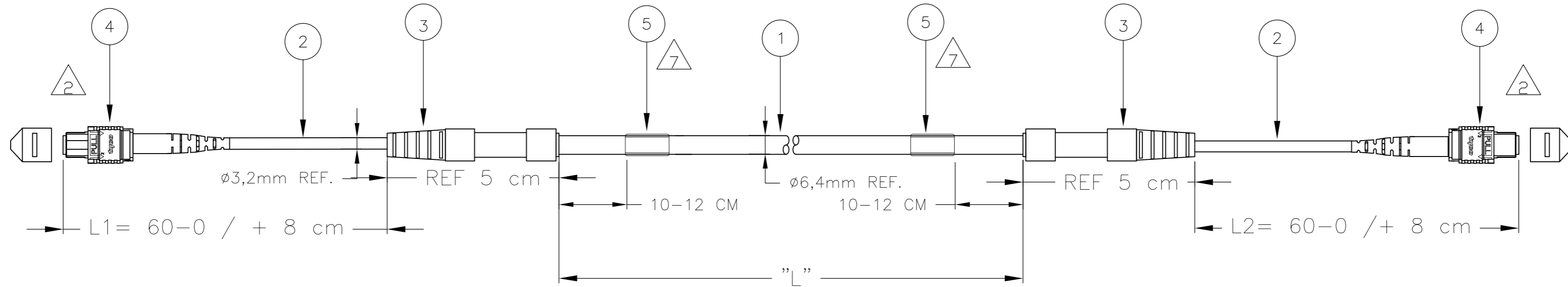


THIS DRAWING IS UNPUBLISHED. RELEASED FOR PUBLICATION
 © COPYRIGHT BY TYCO ELECTRONICS CORPORATION. ALL INTERNATIONAL RIGHTS RESERVED.

LOC	DIST	REVISIONS			
P	LTR	DESCRIPTION	DATE	DWN	APVD
H	-	A	INITIAL RELEASE	22OCT2010	TvdM MO



NOTES:

- 1 TOLERANCE LENGTH "L" ACC. TO CUSTOMER DRAWING 2055705
- 2 MARKING ON CONNECTOR HOUSING INDICATES FIBER 1 SIDE
- 3 FIBER PATH A-A / B-B STRAIGHT
- 4 ATTENUATION ≤ 0,5 dB MEASURED AT 850 nm ACC. IEC 61300-3-4 METHOD B WITH MODAL CONDITION ACC. IS 14763-3, OFSTP-14, IEC 61280-4 + CABLE LOSS FOR LENGTHS > 10 METER ACC. TO CUSTOMER DRAWING 2055703
- 5 RETURN LOSS ≥ 25 dB MEASURED IN MATED CONDITION AGAINST REF. CONNECTOR AT 850 nm.
- 6 TEST RESULT SHEET WITH EACH INDIVIDUALLY PACKED ASSEMBLY
- 7 INFORMATION ON LABEL:
 BARCODE
 PART NUMBER & FACTORY ORDER NUMBER
 CABLE LENGTH ("L")
 UNIQUE SERIAL NUMBER
- 8 PACKAGING:
 - ASSEMBLIES FROM 2 METER UP TO 50 METER WILL BE PACKED IN A CARTON BOX.
 - ASSEMBLIES > 50 METER WILL BE DELIVERED ON A REEL.
- 9 CABLE INFORMATION:
 - CORE DIAMETER: 50/125 μm.
 - OUTER CABLE DIAMETER: 6.4mm.
 - OUTER CABLE COLOR: AQUA.
 - OUTER CABLE MATERIAL: LSZH (LOW SMOKE ZERO HALOGEN).
 - CABLE LOSS 3.0 dB/km AT 850 nm.
- 10 ASSEMBLIES FROM 100 METER UP TO 500 METER ACC. TO CUSTOMER DRAWING 2055708.

TRUNK LENGTH "L" ¹
 SEE CUSTOMER DRAWING 2055705 FOR LENGTHS FROM 2 METER UP TO 99 METER

PART NUMBER
 X-2055707-Y

Qty	Description	Item
2	INFORMATION LABELS	5
2	MPO CONNECTOR KIT FEMALE	4
2	FAN-OUT	3
AR	FURCATION TUBE ROUND, AQUA 3.2 mm	2
L	FOCAB 12F MM50 OM3 AQUA LSZH	1

THIS DRAWING IS A CONTROLLED DOCUMENT.		DWN T.vd MEULEN 22OCT2010	Tyco Electronics Corporation 's-Hertogenbosch, Nederland	
DIMENSIONS: mm		CHK M.OOPPERS 22OCT2010	NAME FOTRK MM50 / OM3 LEAD MPO TO MPO FEMALE 12 FOLD STRAIGHT	
TOLERANCES UNLESS OTHERWISE SPECIFIED:		APVD T.vd MEULEN 22OCT2010	SIZE A2 CAGE CODE 00779 C=2055707	
0 PLC ± -		PRODUCT SPEC -	RESTRICTED TO -	
1 PLC ± -		APPLICATION SPEC -	SCALE NTS SHEET 1 of 2 REV A	
2 PLC ± -		WEIGHT -		
3 PLC ± -		CUSTOMER DRAWING		
4 PLC ± -				
ANGLES ± -				
FINISH -				

2055707

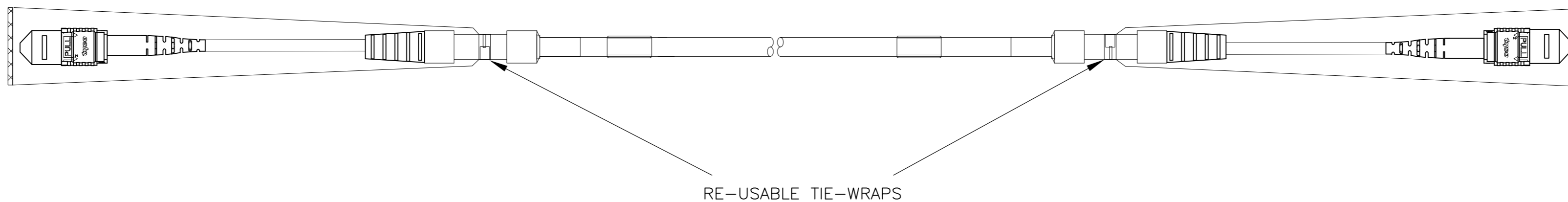
THIS DRAWING IS UNPUBLISHED. RELEASED FOR PUBLICATION
 © COPYRIGHT BY TYCO ELECTRONICS CORPORATION. ALL INTERNATIONAL RIGHTS RESERVED.

LOC	DIST	REVISIONS					
		P	LTR	DESCRIPTION	DATE	DWN	APVD
H	-	-	-	SEE SHEET 1	-	-	-

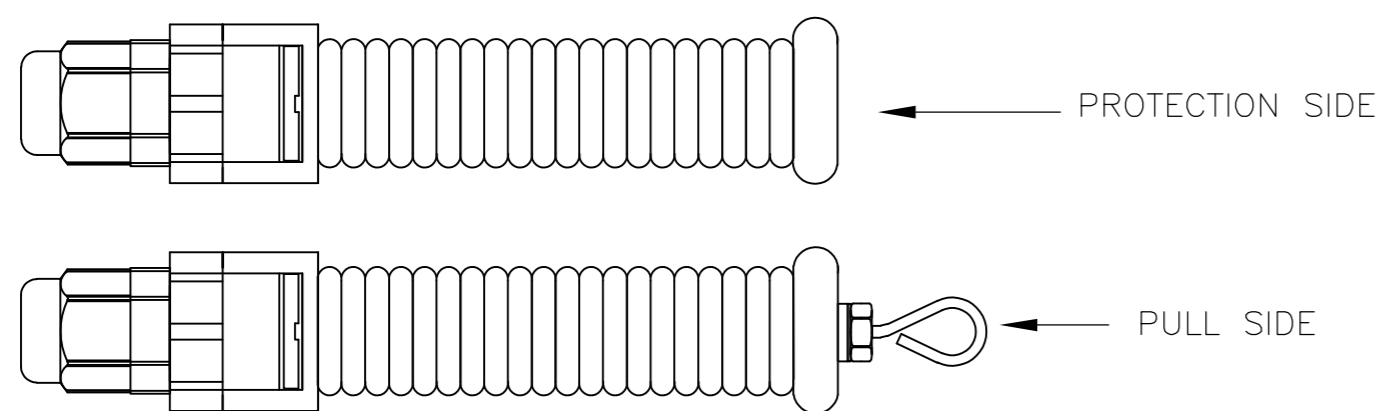
3

FIBER PATH STRAIGHT A-A / B-B		
FIBER		FIBER
1	←→	1
2	←→	2
3	←→	3
4	←→	4
5	←→	5
6	←→	6
7	←→	7
8	←→	8
9	←→	9
10	←→	10
11	←→	11
12	←→	12

11 CONNECTORS AND TAILS ARE PROTECTED BY A SOFT PLASTIC SLEEVE
 (PULL ON THIS SLEEVE IS NOT ALLOWED).



12 INFORMATION ABOUT A PULL AND PROTECTION KIT ASK YOUR LOCAL SALES REPRESENTATIVE.
 SEE LAY-OUT OF THIS KIT BELOW.



THIS DRAWING IS A CONTROLLED DOCUMENT.		DWN T.vd MEULEN 22OCT2010	Tyco Electronics Corporation 's-Hertogenbosch, Nederland	
DIMENSIONS: mm		CHK M.OPPERS 22OCT2010	NAME FOTRK MM50 / OM3 LEAD MPO TO MPO FEMALE 12 FOLD STRAIGHT	
		APVD T.vd MEULEN 22OCT2010	PRODUCT SPEC	
TOLERANCES UNLESS OTHERWISE SPECIFIED:		APPLICATION SPEC		
0 PLC ± -		WEIGHT -		
1 PLC ± -		SIZE A2		
2 PLC ± -		CAGE CODE 00779		
3 PLC ± -		DRAWING NO C=2055707		
4 PLC ± -		RESTRICTED TO -		
ANGLES ± -		SCALE NTS		
FINISH -		SHEET 2 OF 2		
MATERIAL -		REV A		
CUSTOMER DRAWING				