

## Speedway 6 Segment Fiber Management Spool

Introducing the revolutionary Speedway bend radius spool with its unrivalled ease of use and flexibility. Designed to accommodate a number of cable diameters up to 3mm. This incredibly versatile accessory allows the installer to use the complete unit for fiber storage or break it down in to 6 individual components suitable for fiber management/routing. These can then be mounted via adhesive foam pads or via screws. The individual spools are designed to stack up into as many units as you may require through a simple snap fit system.

### Features

- ▶ Fiber pathway allows easy storage of excess fiber and multi-directional routing of entry and exit fibers
- ▶ Allows storage of 250um, 900um, up to 3mm fiber cabling
- ▶ Minimum 30mm bend radius
- ▶ Can be split in to six separate sections
- ▶ Clips together allowing multiple stacks to be formed
- ▶ Mountable via central hole by screw, or double sided foam adhesive pad

### Applications

- ▶ Fiber management
- ▶ Internal and external
- ▶ Wall Boxes
- ▶ Patch Panels

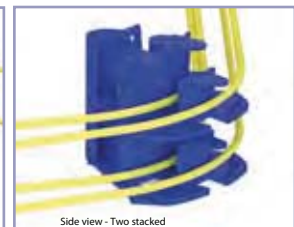
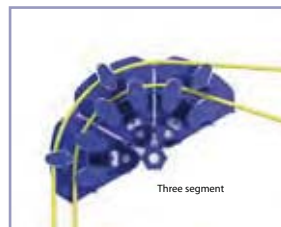
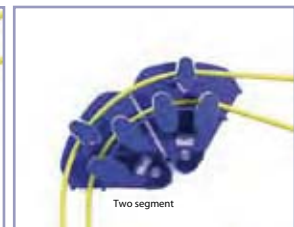
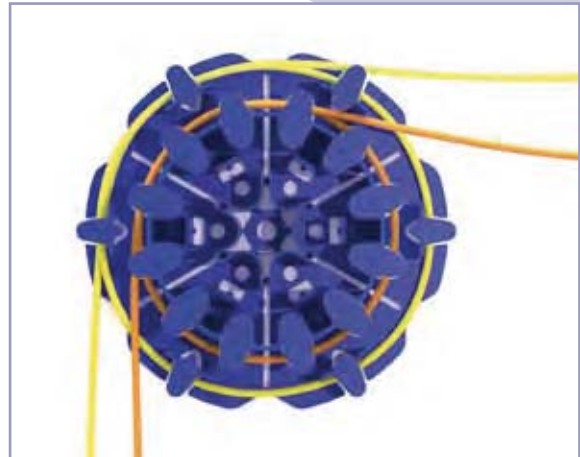
### Technical Specification

Fibre Management Spool	
Diameter	Max 96mm
Height - Individual	22mm with Adhesive pad, 21mm without
Height - 2 Stacked	37mm with Adhesive pad, 36mm without
Net weight	27g
Packaged weight	27g
Material	ABS
Color	Blue
Operating temperature	-40°C to +50 °C
Designed in accordance with	TIA/EIA 568.C, ISO/IEC 11801, EN50173
Compliant to	IEC60304, IEC61754, EN297-1 RoHS, Reach/SVHC

### Ordering Information

Splice Tray with Clear Lid	Part No.
Speedway Bend Radius Spool	SPOOL6/PAD

Design Registration Number 001274211



# SPEEDWAY FIBER SPLICE TRAY

## Speedway Fiber Splice Tray For Up To 24 Fibers

Introducing the revolutionary new Speedway splice tray with unrivalled ease of use and flexibility. Featuring a unique external fiber pathway and pivoting splice holder arrangement, this tray redefines the concept of splice management, combining fiber management and splicing control in one product. Due to its accommodating internal dimensions the Speedway splice tray is able to comfortably hold 24 splices with either heatshrink or crimp style splice protectors with up to 900um fibers.

### Features

- ▶ Unique external fiber pathway allows easy storage of excess fiber and multi-directional routing of entry and exit fibers
- ▶ Spacious interior maintains 30mm fiber bend radius and allows storage of either 250um or 900um buffered fiber
- ▶ Internal management allows multiple fiber routing options including crossover
- ▶ Pivoting splice holders allow uninterrupted control of fiber prior to splicing and during rework
- ▶ Built in fiber pick can be used to withdraw individual fiber and can be stored in the tray after use
- ▶ Will hold up to 24 splices with either heatshrink or crimp style splice protectors
- ▶ Supplied with tray hinge to maintain access to splices with stacked trays
- ▶ Transparent clip in lid supplied with every tray
- ▶ Cable tie points to secure fiber on entry and exit
- ▶ Mountable via central hole, DIN style holes or double sided foam adhesive pad

### Applications

- ▶ Fiber management
- ▶ Internal and external
- ▶ Wall boxes
- ▶ Patch panels

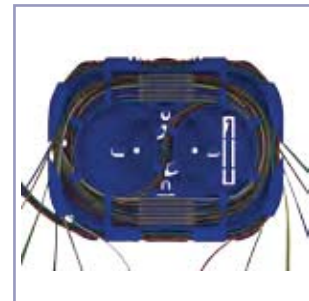
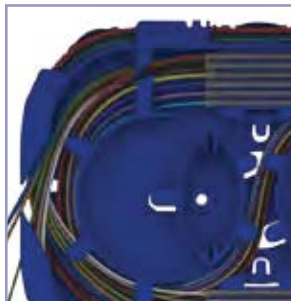
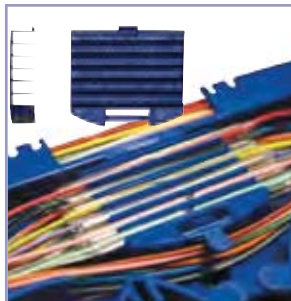
### Technical Specification

Splice Tray	
Width	168mm
Depth	124mm
Height	13mm
Net weight	81g
Material	ABS
Color	Blue
Operating temperature	-40°C to +60°C
Designed in accordance with	TIA/EIA 568.C, ISO/IEC 11801, EN50173, IEC60304, IEC61754, EN297-1
Compliant to	RoHS, Reach/SVHC

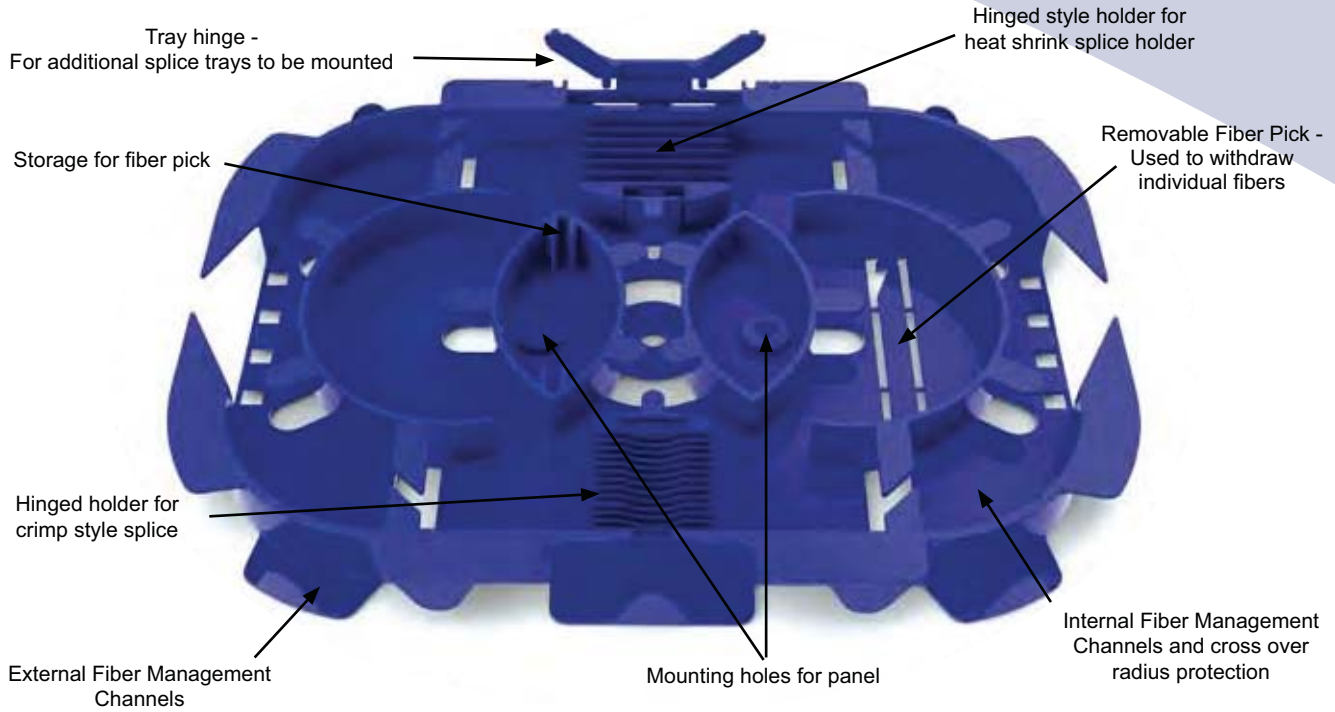
### Ordering Information

Splice Tray with Clear Lid	Part No.
Speedway Fiber Splice Tray Heat Shrink	SPT01
Speedway Fiber Splice Tray Crimp Style	SPT02

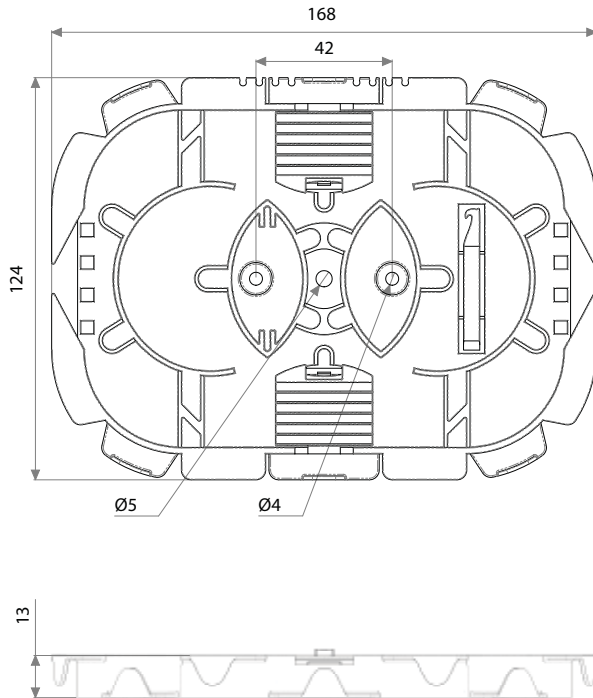
Design Registration Number 001274211



# SPEEDWAY FIBER SPLICE TRAY



## Technical Drawing



All dimensions in mm

