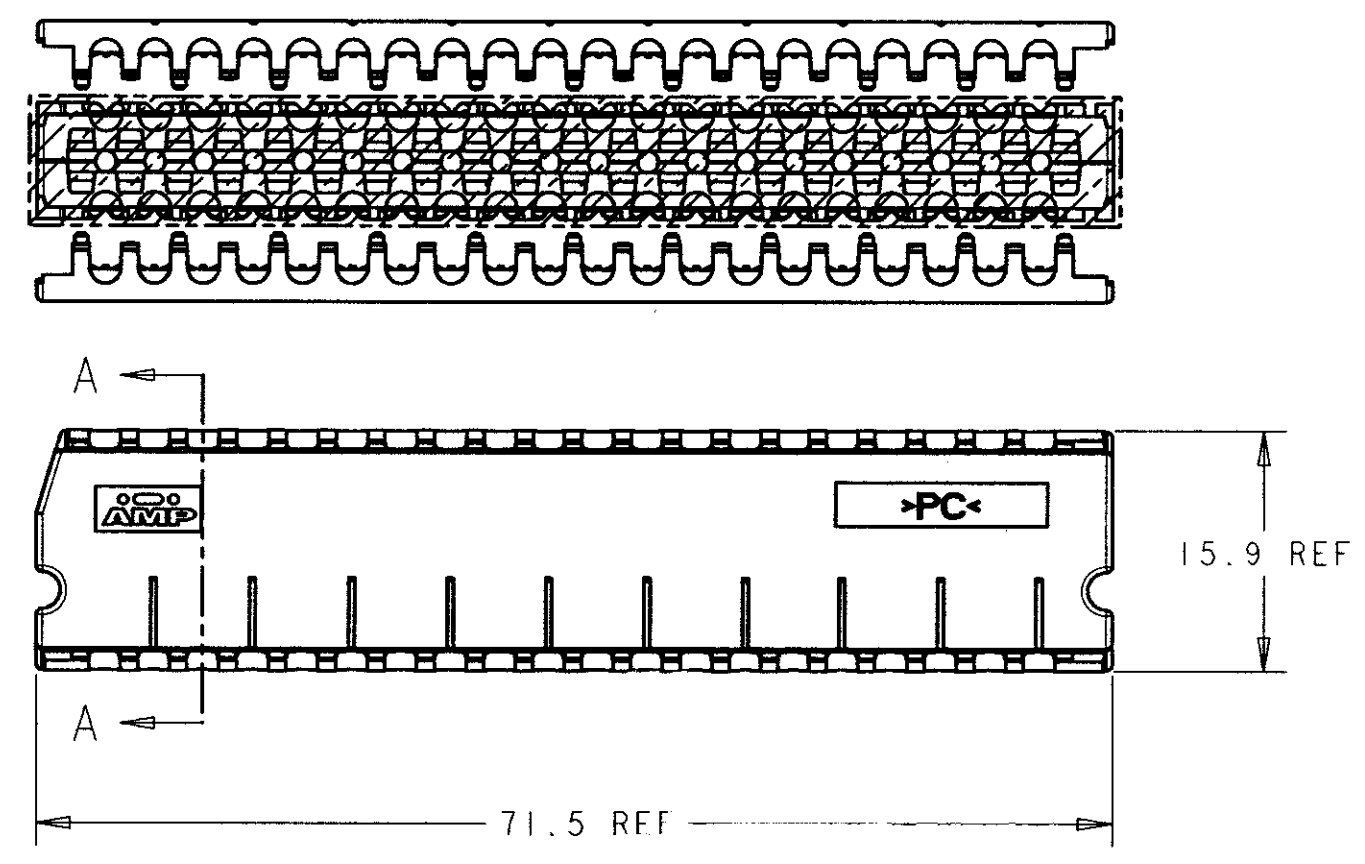


THIS DRAWING IS UNPUBLISHED. PLANO NO PUBLICADO
 RELEASED FOR PUBLICATION - LIBRE DE SER PUBLICADO
 ALL RIGHTS RESERVED. TODOS LOS DERECHOS RESERVADOS.
 BY AMP INCORPORATED. LOS PRODUCTOS AMP ESTAN CUBIERTOS POR PATENTES ACTUALES O PENDIENTES.

LOC	DIST	REVISIONS		
AL	2	#	LTR	DESCRIPTION
		A		EC ES00-0007-97
			DATE	DWN
			FECHA	DIB
			06MAY97	RSA
				APVD
				JS

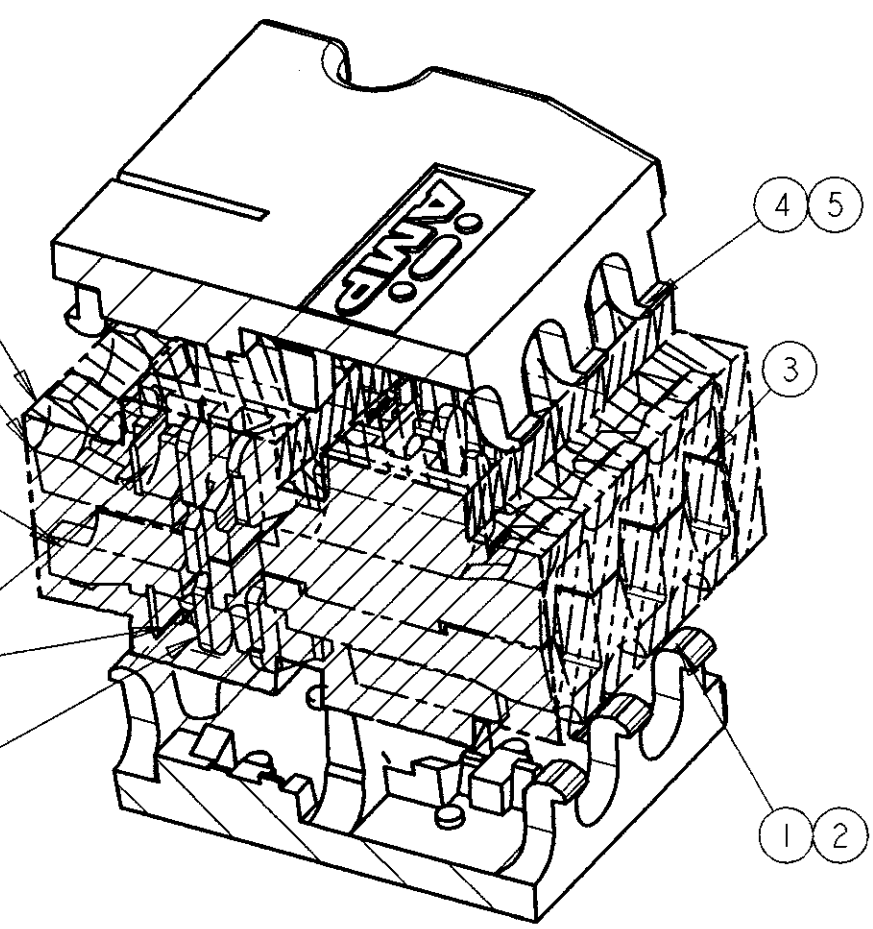


- 1 PACKAGING, 1 BOX WITH 10 BAGS
EACH BAG CONTAINS:
1 BAG WITH 10 UNITS ITEM 1 OR 2
10 UNITS ITEM 3 INDIVIDUALLY PACKED
1 BAG WITH 10 UNITS ITEM 4 OR 5
- 2 MARKING CHAMFER OF ALL LARGE GUIDE PINS
IN RESISTANT BLACK COLOR
- 3 STANDARD LABELING

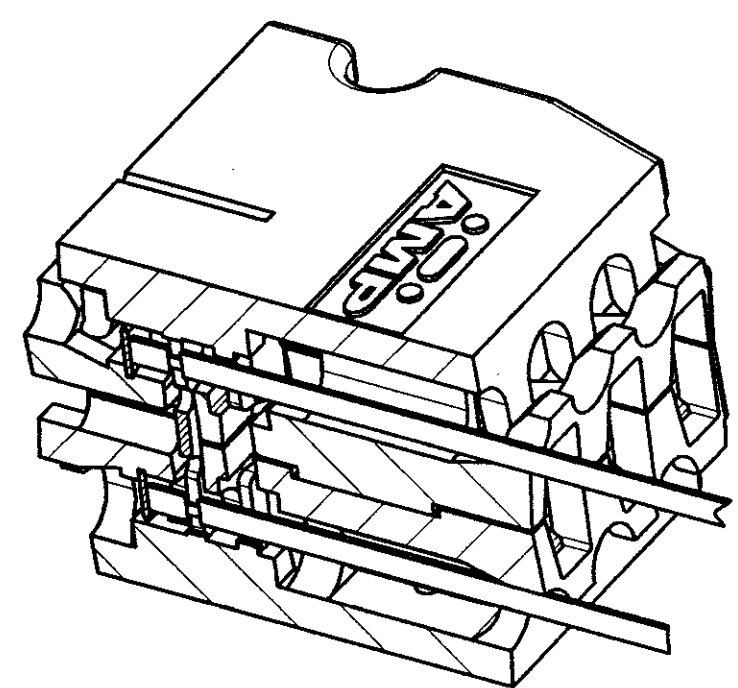
- 1 EMBALAJE, 1 CAJA CON 10 BOLSAS
CADA BOLSA CONTIENE:
1 BOLSA CON 10 UNIDADES ITEM 1 o 2
10 UNIDADES ITEM 3 INDIVIDUALMENTE EMBOLSADO
1 BOLSA CON 10 UNIDADES ITEM 4 o 5
- 2 MARCADO DE LOS CHAFLANES DE LOS TETONES-GUIA
LARGOS EN COLOR NEGRO RESISTENTE
- 3 ETIQUETADO ESTANDARD

SCALE 2:1

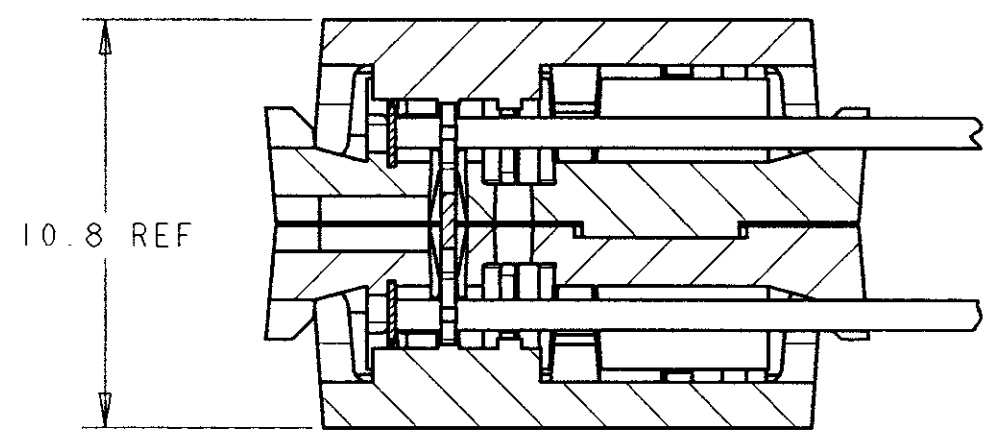
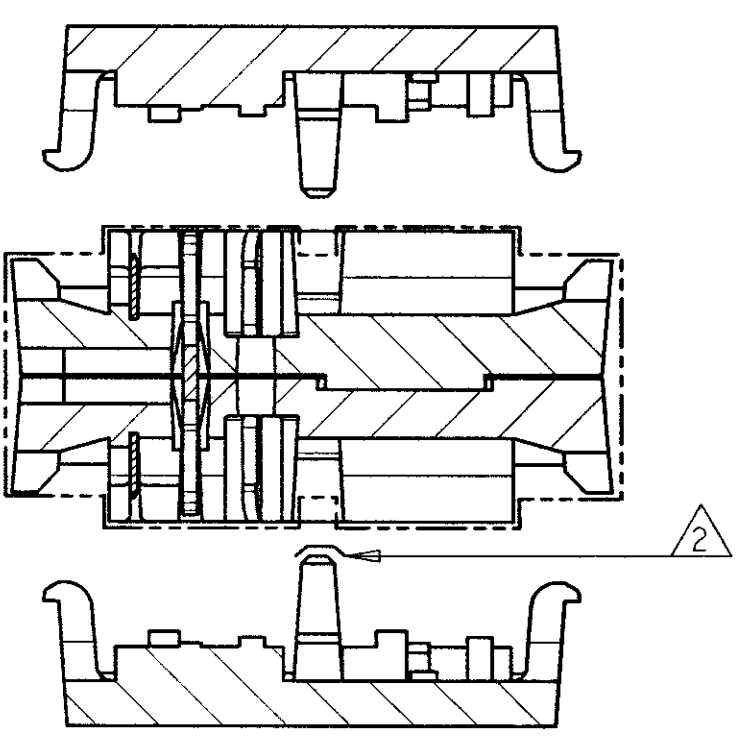
- SEALING COMPOUND
COMPUESTO DE RELLENO
- UPPER BODY
(POLYCARBONATE IVORY COLORED)
CUERPO SUPERIOR
(POLICARBONATO COLOREADO MAFIL)
- LOWER BODY
(POLYCARBONATE GOLD COLORED)
CUERPO INFERIOR
(POLICARBONATO COLOREADO EN MARRON)
- CUT-OFF BLADE (STAINLESS STEEL)
CUCHILLA DE CORTE (ACERO INOXIDABLE)
- SPLICING CONTACT
(PHOSPHOR BRONZE. FINISH: TIN PLATED)
CONTACTO EMPALME
(BRONCE FOSFOROSO. ACABADO: ESTANADO)



PERSPECTIVE OF SECTION A-A (BEFORE CRIMPING)
SCALE 5:1



PERSPECTIVE OF SECTION A-A (AFTER CRIMPING)
SCALE 5:1



SECTION A-A (BEFORE CRIMPING)
SCALE 5:1

SECTION A-A (AFTER CRIMPING)
SCALE 5:1

1	-	COVER, 10 PAIRS, AMP STACK MARK IV TAPA, 10 PARES, AMP STACK MARK IV	POLYCARBONATE POLICARBONATO	TRANSPARENT TRANSPARENTE	5
-	1	COVER, 10 PAIRS, AMP STACK MARK IV TAPA, 10 PARES, AMP STACK MARK IV	POLYCARBONATE POLICARBONATO	IVORY MAFIL	4
1	1	SPLICING BODY ASSY, 10 PAIRS, AMP STACK MARK IV, PRE-SEALED CJTO CUERPO DE EMPALME, 10 PARES, AMP STACK MARK IV PRE-ENGRASADO	SEE DETAIL VER DETALLE	SEE DETAIL VER DETALLE	3
1	-	BASE, 10 PAIRS, AMP STACK MARK IV BASE, 10 PARES, AMP STACK MARK IV	POLYCARBONATE POLICARBONATO	TRANSPARENT TRANSPARENTE	2
-	1	BASE, 10 PAIRS, AMP STACK MARK IV BASE, 10 PARES, AMP STACK MARK IV	POLYCARBONATE POLICARBONATO	GOLD MARRON	1
1-2	-2	DESCRIPTION	MATERIAL	COLOR	ITEM
1	3				
1	3				
QTY PER KIT					

THIS DRAWING IS A CONTROLLED DOCUMENT FOR AMP INCORPORATED. IT IS SUBJECT TO CHANGE AND THE CONTROLLING ENGINEERING ORGANIZATION SHOULD BE CONTACTED FOR THE LATEST REVISION. ESTE PLANO ES UN DOCUMENTO CONTROLADO DE AMP INCORPORATED. PUEDE SER MODIFICADO. PARA LA ULTIMA REVISION, CONTACTAR CON LA ORGANIZACION DE CONTROL DE INGENIERIA.

DWN/DIBUJO: J. GATNAU 23-Jan-96
 CHK/CONTROLO: J. CARRETERO 24-Jan-96
 APVD/APROBO: P. DURAN 12-May-97

DIMENSIONS: DIMENSIONES (mm)
 TOLERANCES UNLESS OTHERWISE SPECIFIED: TOLERANCIAS POR OMISION

0 PLC / LUG ± .1
 1 PLC / LUG ± 0.7
 2 PLC / LUG ± .1
 3 PLC / LUG ± .1
 4 PLC / LUG ± .1
 ANGLES / ANGULOS ± 1
 FINISH ACABADO

MATERIAL

NAME/TITULO: SPLICING CONNECTOR KIT, 10 PAIRS, AMP STACK™ MARK IV PRE-SEALED

SIZE/TAM: A2
 CAGE CODE/CODIGO: 00779
 DRAWING NO./PLANO NO: C-737869

AMP Espanola S.A. Barcelona, Spain.

CUSTOMER DRAWING / PLANO DE CLIENTE
 SCALE/ESCALA: 5:1
 SHEET/HOJA: OF DE 1
 REV: A