

Material:

Insulator: Glass filled polyester UL 94V-0

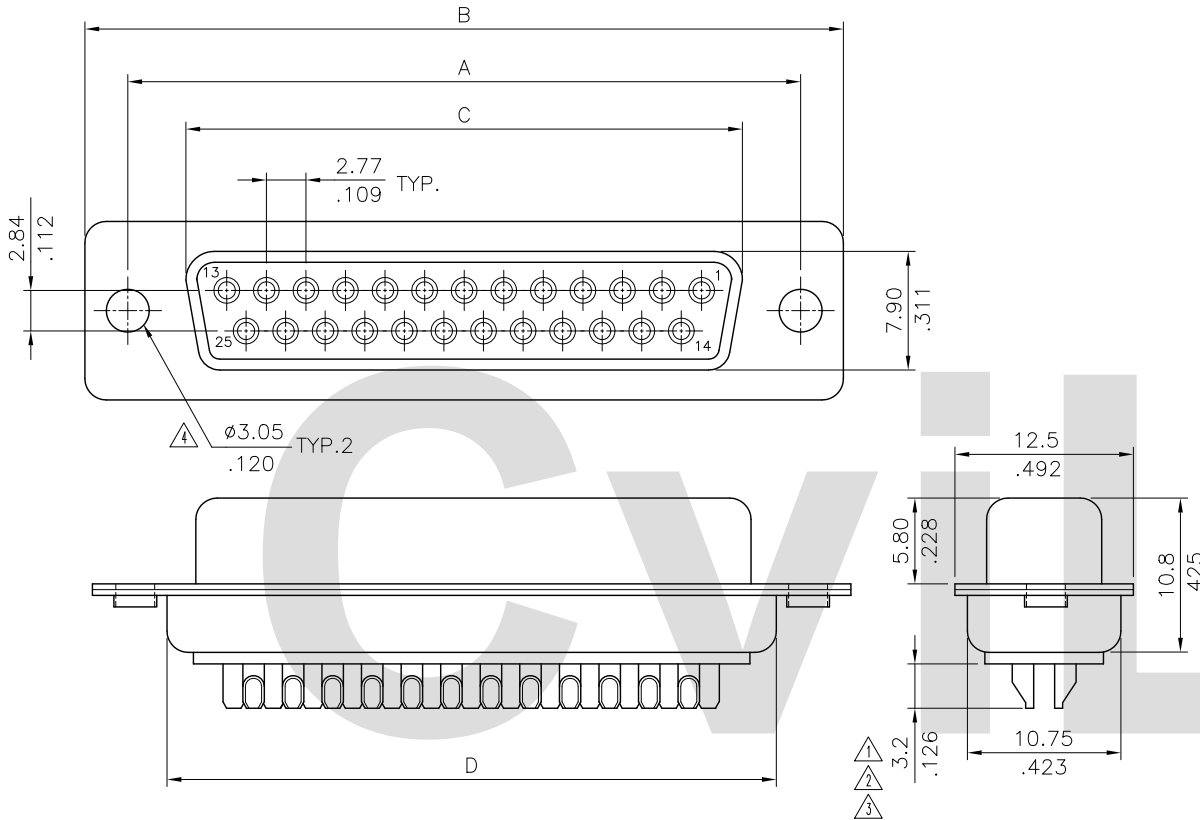
Contact: Brass

Shell: Steel, Tin plated as standard

Ordering Code

CD51 25 S 2 1 00  
 ① ② ③ ④ ⑤ ⑥

- ① Series No.
- ② No. of Circuits: 9,15,25,37
- ③ Contact type: S= Receptacle(Female)
- ④ Plating option:  
 2= Gold flash plated over Nickel  
 A= Selective Gold flash plated over Nickel
- ⑤ Color: 1= Black, 7= Blue, 0= White
- ⑥ Other Option:  
 00 = With  $\phi 3.05$ mm holes on shell(Standard)  
 A0 = Riveted #4-40 UNC close nuts on front shell  
 B0 = Riveted #4-40 UNC open nuts on front shell  
 C0 = Riveted #4-40 UNC open nuts on rear shell



Circuits	Dimension			
	A	B	C	D
9	25.00(.984)	30.8(1.213)	16.30(.642)	19.20(.756)
15	33.32(1.312)	39.2(1.543)	24.60(.969)	27.70(1.091)
25	47.04(1.852)	53.1(2.091)	38.30(1.508)	41.10(1.618)
37	63.50(2.500)	69.4(2.732)	54.80(2.157)	57.30(2.256)

Mounting Style		Lead Free Process		RoHS Compliant			
Code	00	Code	A0	Code	B0	Code	C0
			DIM. L= 5.8mm		DIM. L= 4.0mm		DIM. L= 4.0mm

④	Sandy	3/25-10'	ECN10079		DATE	UNIT: mm / inch	TITLE: D-SUB FEMALE SOLDER CUP SERIES	瀚荃股份有限公司 CviLux Corporation
③	Sun	9/30-09'	ECR09128-0/ECN09488	DRAWN BY: Sandy	3/26-10'	TOLERANCE UNLESS OTHERWISE SPECIFIED	MATERIAL:	
②	Sun	9/18-06	ECN06329	ENGINEER: Eisley	4/12-10'	.X ±0.30/.012 X' ± 1'	FINISH:	
①	Sun	11/21-06	ECR05115-0/ECN05394	CHECKED BY: David	4/12-10'	.XX ±0.20/.008 .X' ±		
SYM	NAME	DATE	REVISIONS	APPROVED BY: David	4/12-10'	.XXX ±0.10/.004 .XX' ±	DRAWING NO. CD5102SF	PART NO. CD51**S****
							SCALE 2 / 1	SHEET 1 OF 1

CIVILUX CORP  
 2010.04.27  
 ISSUED