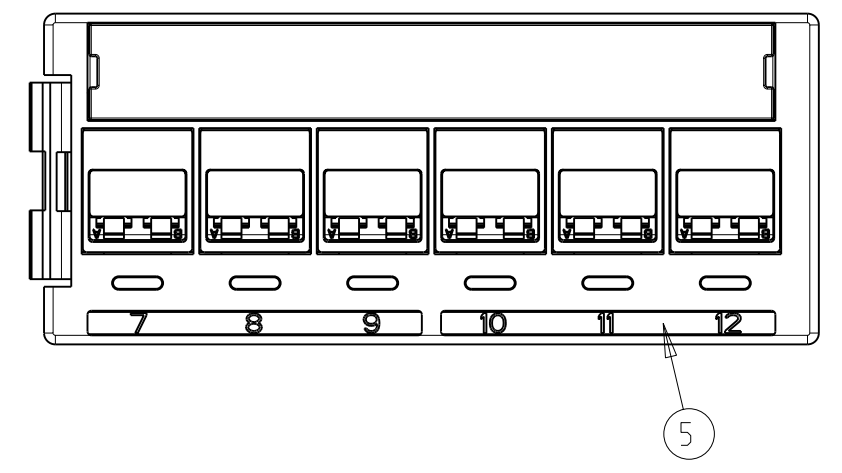
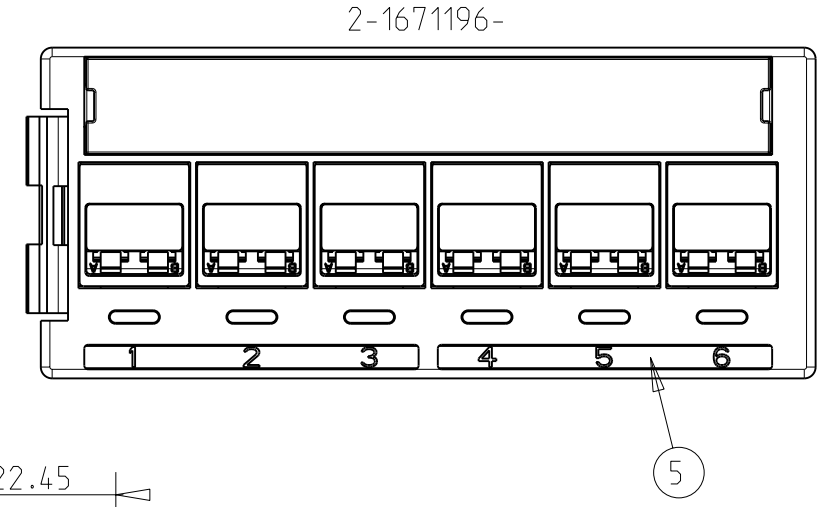
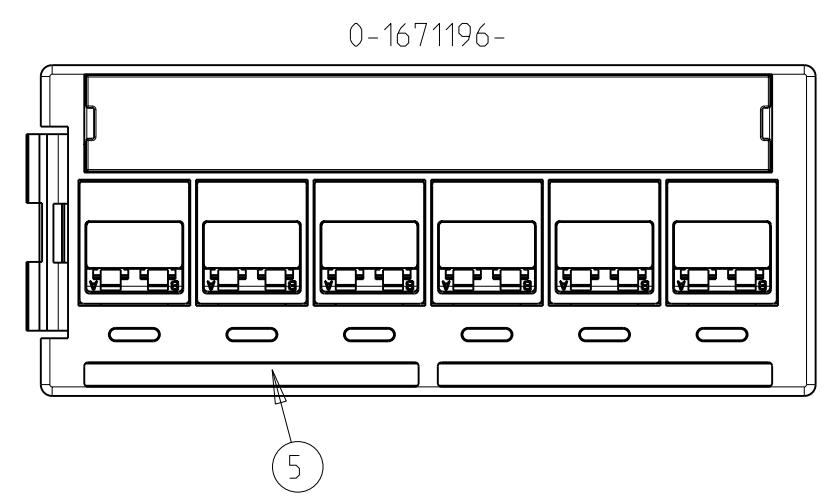
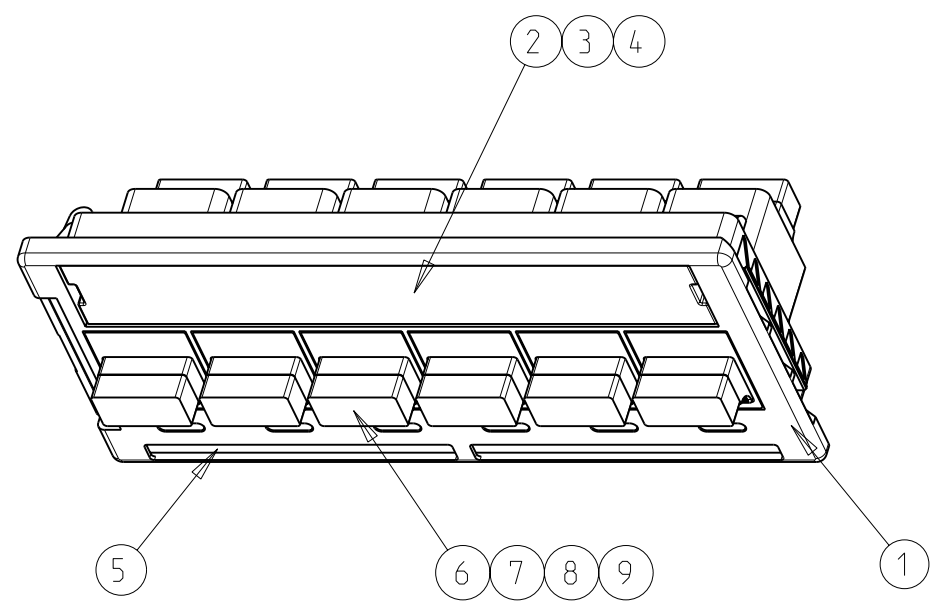


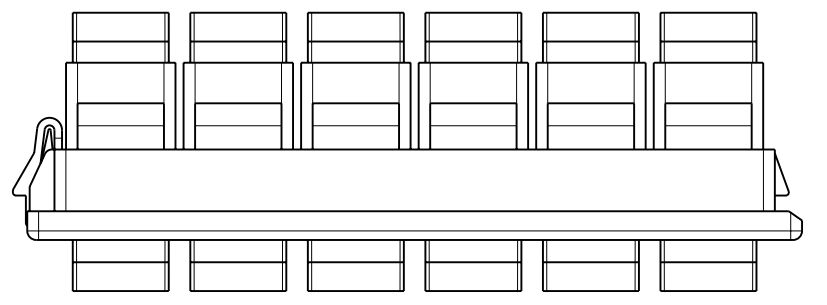
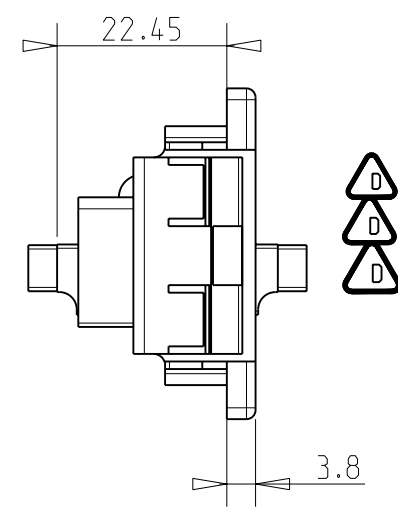
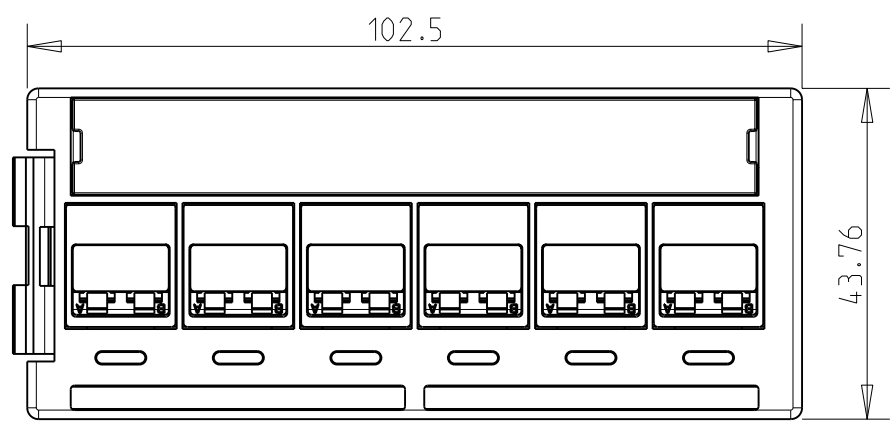
THIS DRAWING IS UNPUBLISHED. RELEASED FOR PUBLICATION 20
 © COPYRIGHT 20 BY TYCO ELECTRONICS CORPORATION. ALL RIGHTS RESERVED.

LOC IV DIST 00

REVISIONS					
P	LTR	DESCRIPTION	DATE	DWN	APVD
	D	ECR-11-020144 Changed to bulk PN	07OCT2011	HB	DT



1. LABELS AND LABEL COVERS SHIPPED LOOSE.



QUANTITY	PART NUMBER	DESCRIPTION	ITEM
-	-	SL Duplex LC adaptor Housing OS - Green	9
12	-	SL Duplex LC adaptor Housing OM3	8
-	12	SL Duplex LC adaptor Housing OM2	7
-	-	SL Duplex LC adaptor Housing OS1	6
1	1	Port ID label 7-12	5
1	1	Port ID label 1-6	
-	-	Port ID label BLANK	
2	2	Black label cover	4
2	2	Clear label cover	3
1	1	Interface housing label sheet	2
2	2	Interface housing UTP	1

THIS DRAWING IS A CONTROLLED DOCUMENT FOR TYCO ELECTRONICS CORPORATION IT IS SUBJECT TO CHANGE AND THE CONTROLLING ENGINEERING ORGANIZATION SHOULD BE CONTACTED FOR THE LATEST REVISION.

DIMENSIONS: mm		TOLERANCES UNLESS OTHERWISE SPECIFIED:	
	0 PLC ±	1 PLC ±	2 PLC ±
	3 PLC ±	4 PLC ±	ANGLES ±
MATERIAL -	FINISH -		

DWN	H.BLEUS	20NOV2008
CHK	H.BLEUS	20NOV2008
APVD	D.THUIS	20NOV2008
PRODUCT SPEC	-	
APPLICATION SPEC	-	
WEIGHT	-	

		Tyco Electronics Kessel-Lo, Belgium	
NAME LC SNAP-IN MODULE			
SIZE	CAGE CODE	DRAWING NO	RESTRICTED TO
A3	00779	0-1671196	-
CUSTOMER DRAWING		SCALE 1.000	SHEET 1 OF 1 REV D