

Z|BOX

19" WALL-MOUNTED
NETWORK CABINET



ZPAS
G R O U P

solutions for connections





Cabinet with steel solid door, powder painted



Rear view

SINGLE-SECTION CABINET WITH REMOVABLE SIDE PANELS

- Designed for indoor applications.
- Available in 2 depths (400 and 600 mm) and 6 usable heights (from 6 to 21 U).
- The cabinet is made of bolted framework (composed of 3 frames), top plate, bottom plate, side panels, rear panel and front door.
- Cabinet is equipped with two adjustable 19" mounting profiles.
- Top and bottom plates have cable openings covered with knock-out blanking plates, and 3 venting holes for each plate.
- Door, side panels and mounting profiles can be installed without tools.
- The entire weight of the devices installed inside the cabinet is transferred onto its framework. Top and bottom plates, side panels and cabinet door can be removed or installed also with a fully equipped cabinet that is mounted to the wall.
- Side panels can be removed after opening the door.
- With easy replacement of doors, side panels, top and bottom plates for a different colour scheme, the cabinet design can be changed multiple times.

TECHNICAL DATA

Protection degree:

IP 20 in accordance with EN 60529.

Maximum load capacity:

The maximum weight of equipment mounted in cabinet is 100 kg.

Material of cabinet in basic version:

sheet steel, safety glass, aluminium profiles.

Surface finishing of cabinet in basic version:

frame, door, panels, top and bottom plates
 – powder paint, light grey (RAL 7035).
 Mounting profiles – Al-Zn coated.

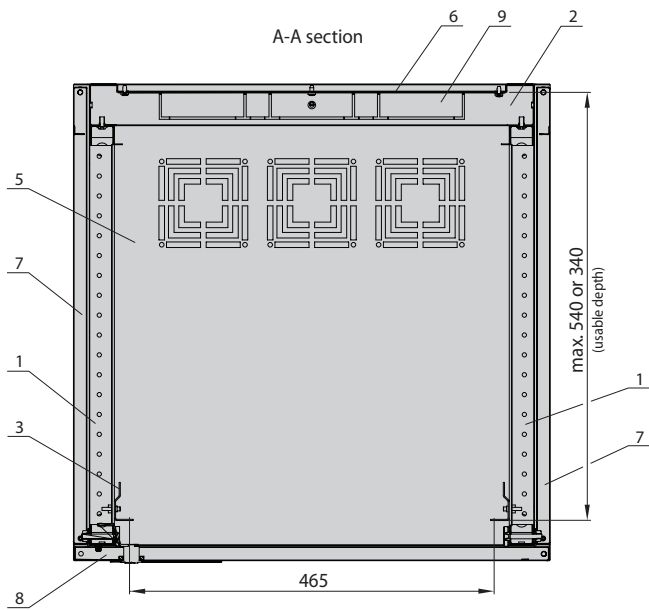
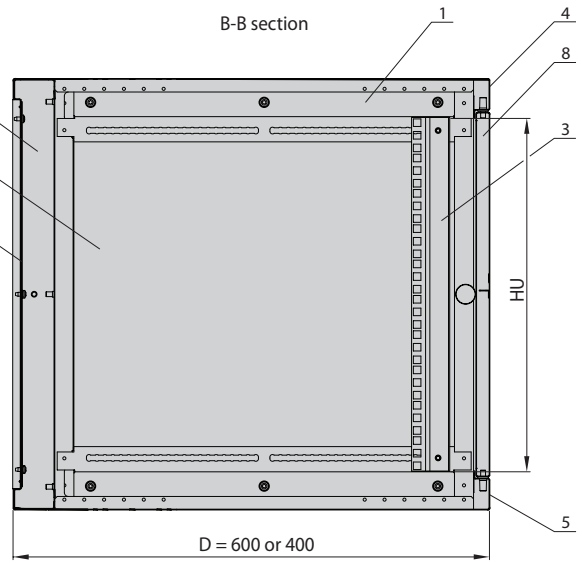
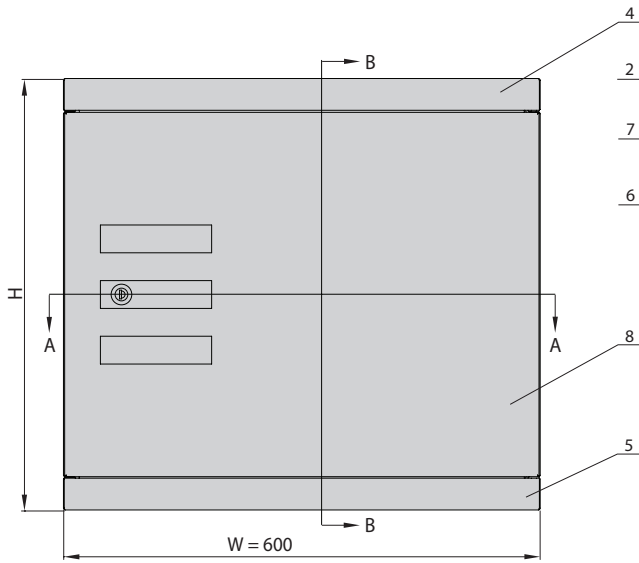
REFERENCE CHART

External dimensions			Usable height HU [U = 44.45 mm]	Catalogue number of cabinet in basic version		
Width W [mm]	Depth D [mm]	Height H [mm]		Cabinet with glass door	Cabinet with steel solid door	Cabinet with steel glazed door
600	600	1032	21 U	WZ-7240-20-A6-011*	WZ-7240-20-M6-011*	WZ-7240-20-S6-011*
		899	18 U	WZ-7240-20-A5-011	WZ-7240-20-M5-011	WZ-7240-20-S5-011
		765	15 U	WZ-7240-20-A4-011	WZ-7240-20-M4-011	WZ-7240-20-S4-011
		632	12 U	WZ-7240-20-A3-011	WZ-7240-20-M3-011	WZ-7240-20-S3-011
		543	10 U	WZ-7240-20-A2-011	WZ-7240-20-M2-011	WZ-7240-20-S2-011
		365	6 U	WZ-7240-20-A1-011	WZ-7240-20-M1-011	WZ-7240-20-S1-011
	400	899	18 U	WZ-7240-01-A6-011	WZ-7240-01-M6-011	WZ-7240-01-S6-011
		765	15 U	WZ-7240-01-A5-011	WZ-7240-01-M5-011	WZ-7240-01-S5-011
		632	12 U	WZ-7240-01-A4-011	WZ-7240-01-M4-011	WZ-7240-01-S4-011
		543	10 U	WZ-7240-01-A3-011	WZ-7240-01-M3-011	WZ-7240-01-S3-011
		365	6 U	WZ-7240-01-A2-011	WZ-7240-01-M2-011	WZ-7240-01-S2-011
		276	4 U	WZ-7240-01-A1-011	WZ-7240-01-M1-011	WZ-7240-01-S1-011

Scope of delivery: frame, bottom plate, top plate, door, 2 side panels, rear panel, 2 mounting profiles.

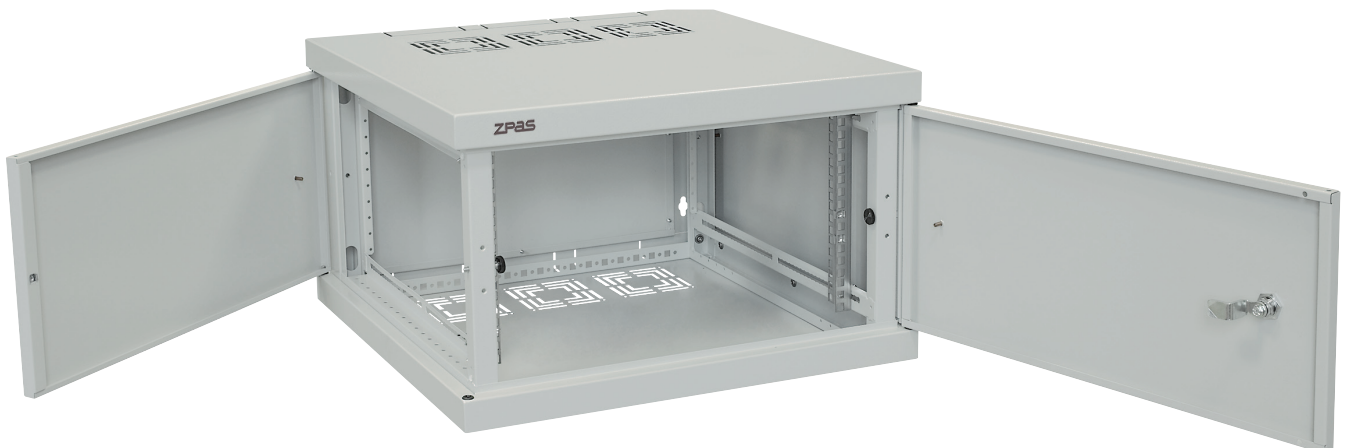
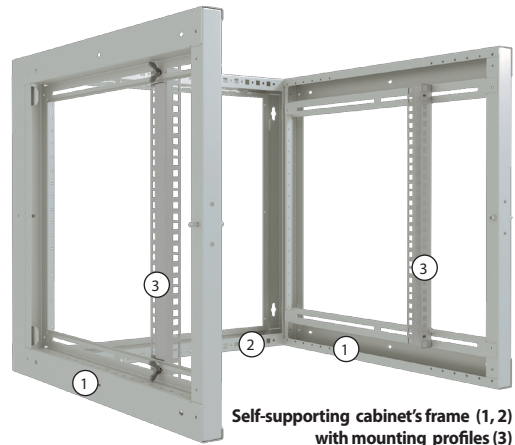
*) On request.

19" WALL-MOUNTED NETWORK CABINET



DESIGN

- 1. Side part of cabinet's frame
- 2. Rear part of cabinet's frame
- 3. Mounting profile
- 4. Top plate
- 5. Bottom plate
- 6. Rear panel
- 7. Side panel
- 8. Door
- 9. Knock-out blanking plate





Cabinet made of stainless steel, with glazed door

New design

- 3 design lines:
 - powder coating (the basic version),
 - stainless steel version,
 - veneered version with overprint of your choice.
- Available assembled and disassembled.
- Functional.
- A wide range of supplementary accessories.
- Easy and fast installation using one type of screws.



Cabinet made of stainless steel, with solid door



Cabinet with wood-like veneer

Supplementary accessories

Product name	Catalogue number
Earthing kit (earthing strip, earthing cables for door and panels, fixing accessories)	WZ-7240-A0-00-000
Fan kit (fan with protection grid, power lead without plug, fixing accessories)	WN-0200-04-00-000
Brush strip for cable opening, 250 mm long	WZ-3504-22-00-000
Wall-fastening brackets, 4 pcs, 20 mm deep	WZ-2048-50-01-000
Wall-fastening brackets, 4 pcs, 40 mm deep	WZ-2048-50-02-000

Product name	Catalogue number
Mounting profiles Z BOX 19", 2 pcs, height 18 U	WZ-7240-31-06-000
Mounting profiles Z BOX 19", 2 pcs., height 15 U	WZ-7240-31-05-000
Mounting profiles Z BOX 19", 2 pcs, height 12 U	WZ-7240-31-04-000
Mounting profiles Z BOX 19", 2 pcs, height 10 U	WZ-7240-31-03-000
Mounting profiles Z BOX 19", 2 pcs, height 6 U	WZ-7240-31-02-000
Mounting profiles Z BOX 19", 2 pcs, height 4 U	WZ-7240-31-01-000



ZPAS

We reserve the right to modernise and modify our products. Technical modifications shall not affect product functionality. Misprints and errors of content that may be found in this publication may not be used as a basis for complaints.

Edition: 03.2016 EN

ZPAS S.A.

PRZYGÓRZE 209 · 57-431 WOLIBÓRZ · POLAND

PHONE: +48 748 720 100 · FAX: +48 748 724 074

ZPAS

INFO@ZPAS.PL · WWW.ZPAS.PL