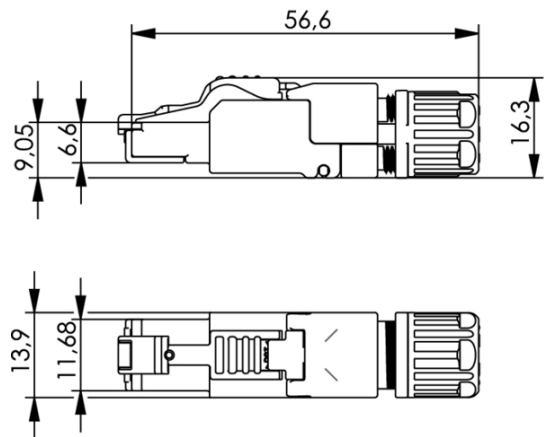


order number: J00026A5001

field assembly RJ45 plug MFP8 IE T568 B Cat.6_A; AWG24/1-AWG22/1, AWG27/7-AWG22/7



| Technical Attributes | |
|----------------------|--|
| Short name | MFP8 IE T568 B Cat.6 _A |
| Remarks | AWG 24/1-22/1, AWG 27/7-22/7, incl. pre-assembled protection cap |

Performance Characteristics

- pre-assembled protection cap
- robust zinc diecast housing
- 360° shielding
- full metal shielding between pairs of wires
- Outer diameter: 5.5 – 10.0 mm
- can be assembled in 60 seconds without any special tools
- optimised for the field, including demanding applications
- secure transmission even with outside interference
- four-chamber wire manager (available with colour code T568A or T568B and PROFINET)
- suitable for cabling in office buildings, data centers, industrial facilities and home networks
- supreme reliability
- ideal for network repairs, special lengths and extensions
- piercing contacts suitable for solid and stranded conductors

| Mechanical Characteristics | |
|--|-------------------------------|
| Insertion force | ≤ 30N |
| Durability (mating cycles) | ≥ 750 |
| Reusable contacts | ≤4 cycles |
| Material: contacts | spring steel |
| Material: contact finish | Ni1,2Au0,8 |
| Material: connector housing | Zinkdruckguss vernickelt |
| Material: PCB | FR4 UL 94 V0 |
| Material: piercing contacts | phosphor bronze tinned |
| Material: shield contact | brass, nickel-plated |
| Material: wire pair presorting | PC UL94 V0 white |
| Material: uplock hook | PBT UL94 V0 |
| Material: shielding housing | zinc diecast, nickel-plated |
| Material: protection cap | PBT UL94 V0 |
| Mating Requirements Cu-Conductor diameter: solid | 0.51 - 0.64 mm (AWG24/1-22/1) |
| Mating Requirements Cu-Conductor diameter: stranded | 0.46 - 0.76 mm (AWG27/7-22/7) |
| Mating Requirements Cu-Conductor diameter: stranded* | 0.61 - 0.78 mm (AWG24-22/19) |
| Core Diameter | 1.0 - 1.6 mm |
| Overall cable diameter | 5.5 - 10.0 mm |

| Climatic Characteristics | |
|--------------------------|----------------|
| Temperature range [°C] | -40°C to +85°C |
| UL | E244889 |

| Electrical Characteristics | |
|-----------------------------------|-----------------------------------|
| Current carrying capacity at 50°C | 1 A |
| PoE+ acc to IEEE 802.3at | Adequate for Power over Ethernet+ |

| | |
|--|----------------------------------|
| Standards | |
| Connectors | IEC 60603-7-51 |
| Transmission Characteristics | |
| 10 Gigabit Ethernet acc. to IEEE 802.3an | Adequate for 10 Gigabit Ethernet |