

2014

RELEASED FOR PUBLICATION

~~THIS DRAWING IS UNPUBLISHED.~~

© 2016 COMMSCOPE, INC. CONFIDENTIAL PROPERTY OF COMMSCOPE, INC. AND MAY BE USED ONLY FOR THE SPECIFIC PURPOSE AUTHORIZED IN WRITING BY COMMSCOPE, INC.

REVISIONS

P	LTR	DESCRIPTION	DATE	DWN	APVD
	B	REV; 40032676MCO; UPDATE LOGO	01AUG2016	GG	SJ

1. DIMENSIONS SHOWN ARE FOR REFERENCE ONLY. (Nominal values). VIEWS for REF. ONLY.

2. MATERIAL:

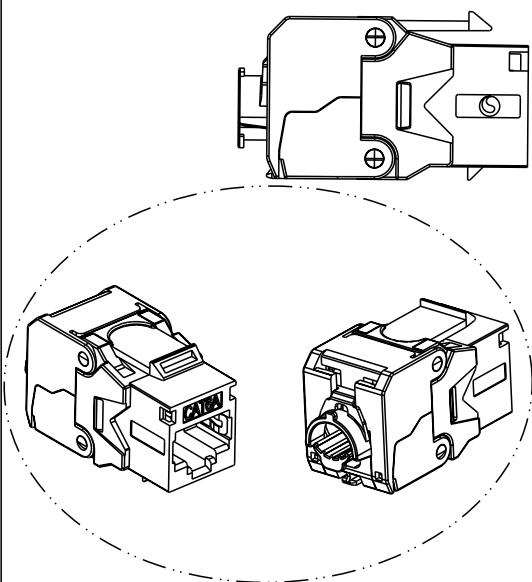
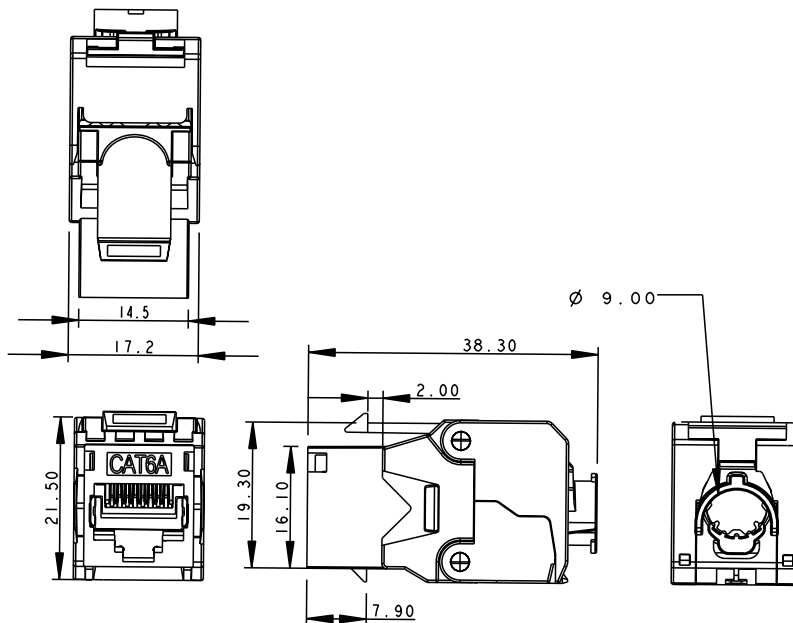
- > Housing: Zinc alloy. Nickel plating
- > Contact: Phospor Bronze with 1.27um hard gold plating over contact area.
- > IDC: Phospor Bronze with Tin plating.
- > IDC Housing: ABS/PC FR.

3. GENERAL SPEC.: ISO/IEC 11801 Ed. 2.2

- > IDC Capability:
  - >> AWG 22-26 Solid
  - >> AWG 24 Stranded.
- > Cable Jacket: Max.Ø9.0 mm.

4. RECOMMENDED PANEL CUT-OUT:

- (for single wall plate & back panel for double wall plate)
- > Height: 19.30 (Nominal.)
  - > Width: 14.73 (Nominal)



A	Cat6A Shld E Series RJ45 Jack	2153354-1
REV.	DESCRIPTION	PART NUMBER

DIMENSIONS:		DWN	A.CARRERAS	03MAR2014	MATERIAL	-	FINISH	-			
mm		CHK	L.de DIOS	03MAR2014	<b>COMMSCOPE, INC.</b>						
TOLERANCES UNLESS OTHERWISE SPECIFIED:		APVD	J.SANABRA	23JUN2014							
0 PLC	±	PRODUCT SPEC	--	NAME					Cat6A Shld E Series RJ45 Jack		
1 PLC	±	APPLICATION SPEC	411-93030	SIZE					A 1	CAGE CODE	-
2 PLC	±	WEIGHT	-	CUSTOMER DRAWING		N.A	1	1	B		
3 PLC	±										
4 PLC	±										
ANGLES	±										