

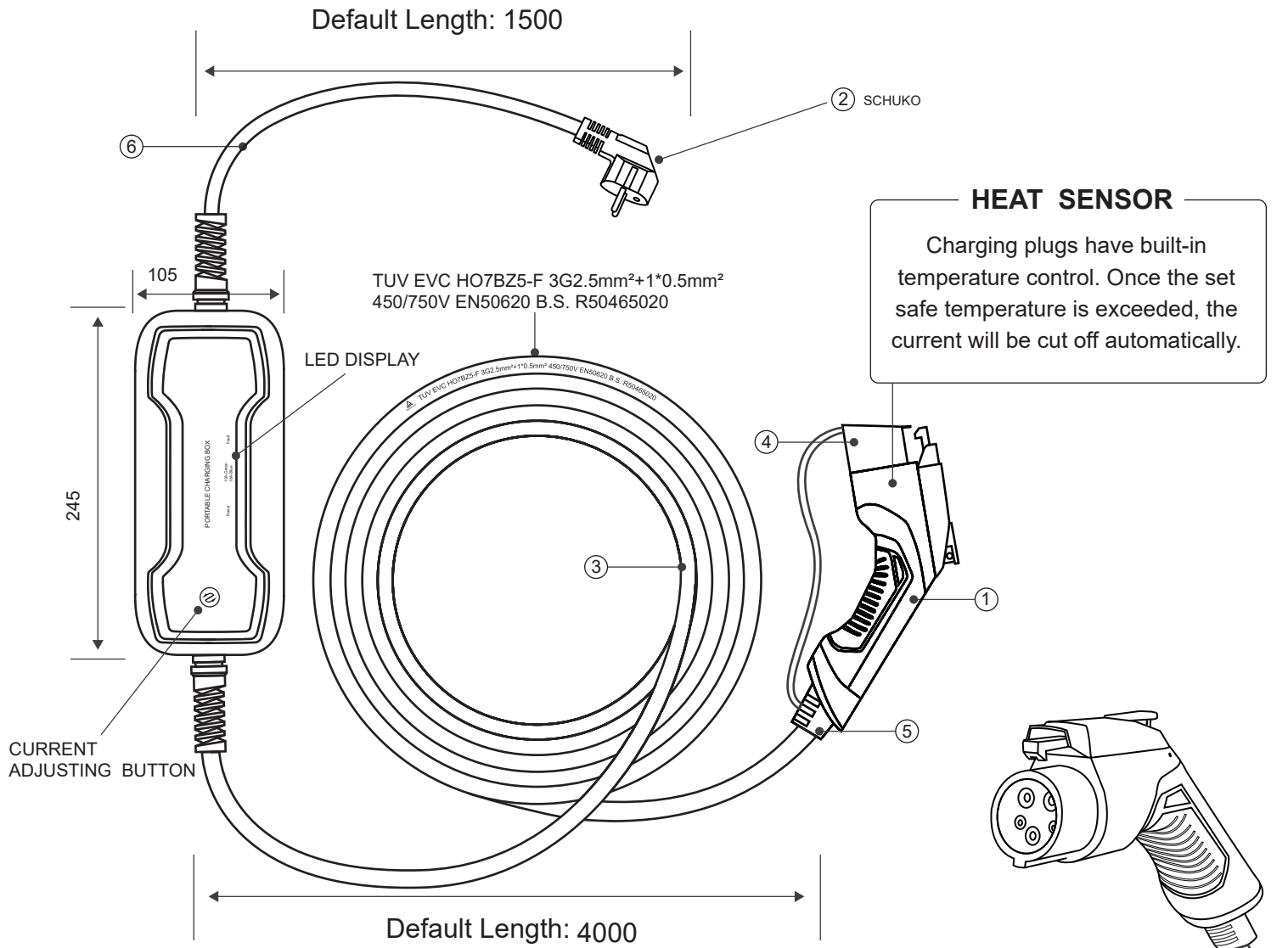
MODE 2 EV CHARGING CABLE

ITEM NO.: EV-1125
(Max. Power 3.6 kW)

STANDARDS/DIRECTIVES: EN 61851-21-2: 2017
EN 61000-3-2: 2014

REVISIONS

REV.	DESCRIPTION	DATE
A		
B		



HEAT SENSOR
Charging plugs have built-in temperature control. Once the set safe temperature is exceeded, the current will be cut off automatically.

PRODUCT ADVANTAGES

- * **FLEXIBLE:** Adjustable charging current
- * **INTELLIGENT:** Intelligent chip inside automatically recovers common charging errors
- * **ROBUST:** Robust enclosure of the box can withstand rolling of a vehicle
- * **WATERPROOF:** Excellent waterproof performance to support outdoor use
- * **RELIABLE:** Monitoring inner temperature to ensure charging safety in addition to a variety of protection features

SPECIFICATION

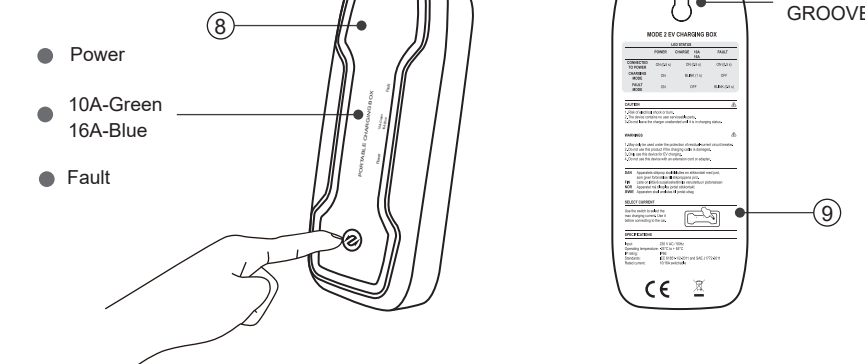
Operation Current: 6 - 16A
Current Adjustable: Yes
Power Supply: 1-Phase
Operational Voltage: 220±10% AC
Rated Operating Frequency: 47 - 63 HZ
Protection Degree: IP66
Insulation Resistance: > 10MΩ
Insulator Flammability: UL94
Withstand Voltage: 2000V
Relative Humidity: 0-95% non-condensing
Maximum Altitude: < 2000M
Service Life: 10,000 times
Operating Temperature: - 40 C ~ + 75 C

LED STATUS			
	Power (green)	Charge (10A green) (16A blue)	Fault (red)
CONNECTED TO POWER	ON (0.5s)	ON(0.5s)	ON(0.5s)
CHARGING MODE	ON	BLINK(1s)	OFF
FAULT MODE	ON	OFF	BLINK(0.5s)

SECURITY PROTECTION

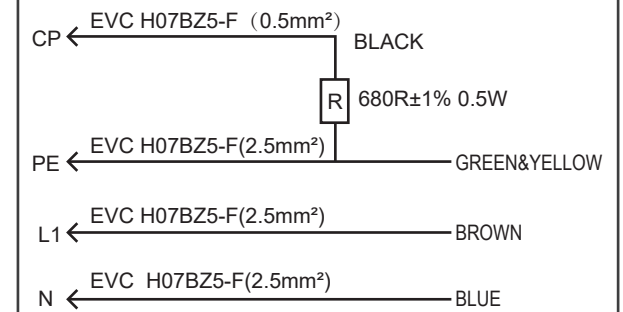
- Over Temperature Protection
- Short-Circuit Protection
- Over Current Protection
- Under Voltage Protection
- Over Voltage Protection
- Residual Current Protection

PORTABLE CHARGING BOX

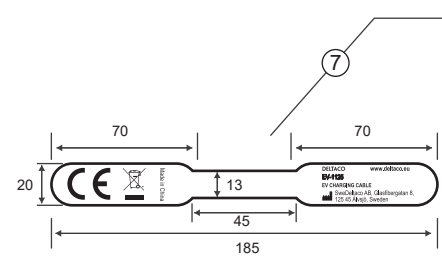
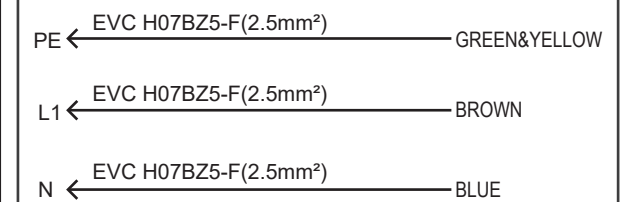


Fault Code	Fault Phenomenon	Fault LED Display
1	Communication Fault	Blink 1 Time
2	Under-Voltage Protection	Blink 2 Time
3	Over-Voltage Protection	Blink 3 Time
4	Ungrounded Protection	Blink 4 Time
5	Over-Current Protection	Blink 5 Time
6	Stort-Current Protection	Blink 6 Time
7	Leakage Protection	Blink 7 Time
8	Over Temperature Protection	Blink 8 Time

TYPE 1 (SAE J1772) CONNECTOR



SCHUKO HOME PLUG 1PHASE 16A



ITEM	DESCRIPTION	DEFAULT COLOR
①	Plug SAE J1772 (Type 1)	BLACK
②	SCHUKO Home plug 1phase 16A	BLACK
③	TUV licensed EV charging cable	BLACK
④	Waterproof cover	BLACK
⑤	Sealing device	BLACK
⑥	Power supply cable	BLACK
⑦	CE tag on cable	BLACK
⑧	3M LOGO sticker	WHITE
⑨	3M sticker	WHITE



DELTAACO

SIGNATURE		ITEM NO.: EV-1125		DATE: 2020/05/27	
SAFETY ENGINEER					
MANAGER BY:		UNIT: mm	SHEET: 1 OF 1		REV.
CHECKED BY:		DWG NO.: BSCNP201			A
DRAWN BY:					